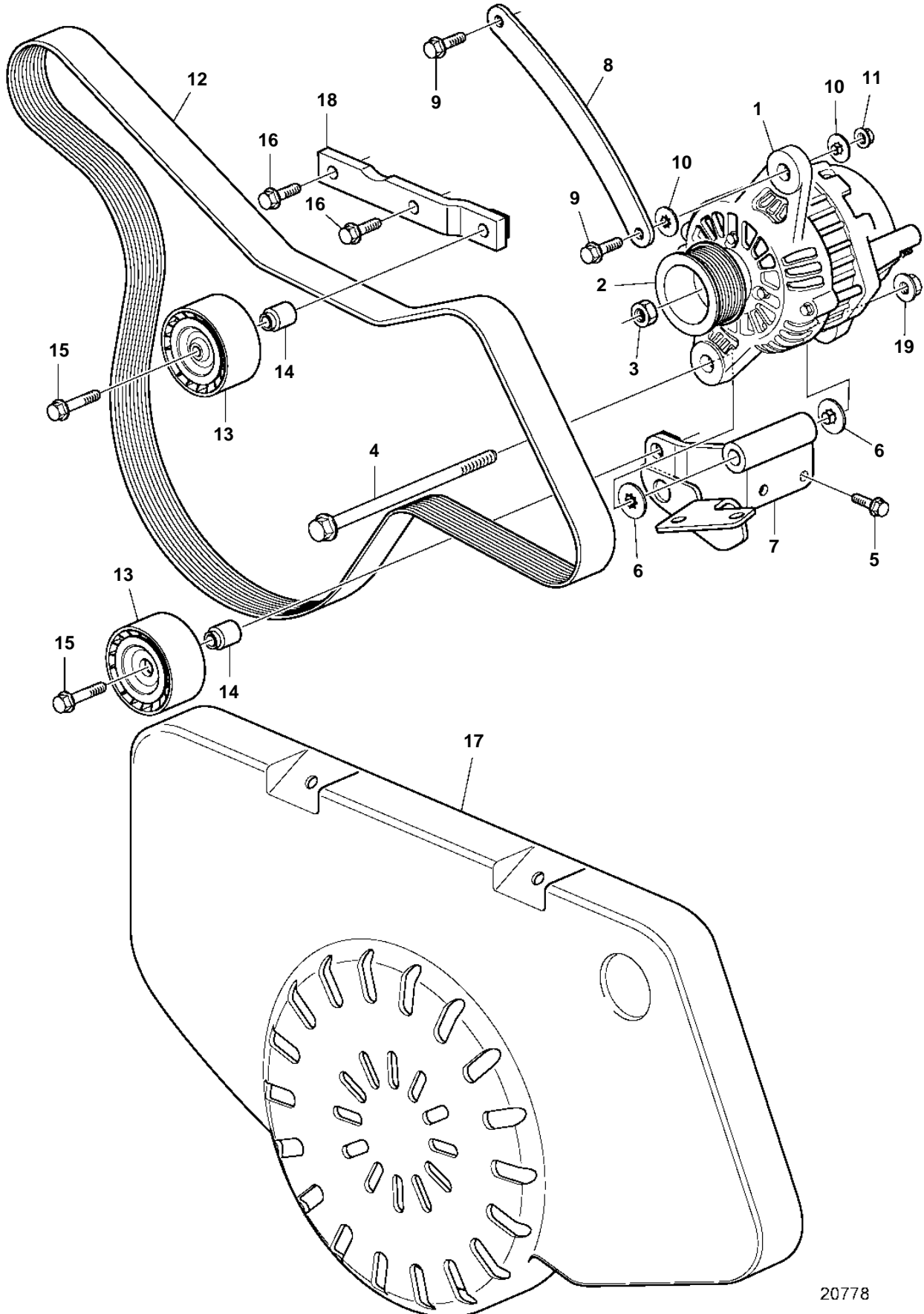


D9A2A 425, 500, 575, D9A2A MH



20778

D9A2A 425, 500, 575, D9A2A MH

REF	PART NO.	QTY	DESCRIPTION	NOTES
1	3803846	1	Alternator,exch	14V 115A
	3803845	1	Alternator,exch	28V 80A
2		1	· Pulley	
3		1	· Nut	
4	979935	1	Flange screw	
5	965185	2	Flange screw	
6	3589388	2	Insulating bushing	
7	3818185	1	Bracket	
8	3586753	1	Bracket	
9	973924	2	Flange screw	
10	3589369	2	Insulating bushing	
11	930762	1	Nut	
12	990422	1	Drive belt	
13	3827501	1	Idler gear	
14	3818176	1	Hub	
15	965195	2	Flange screw	
16	946329	2	Flange screw	
17	3818370	1	Belt protector	
18	3818174	1	Bracket	
19	979230	1	Flange nut	