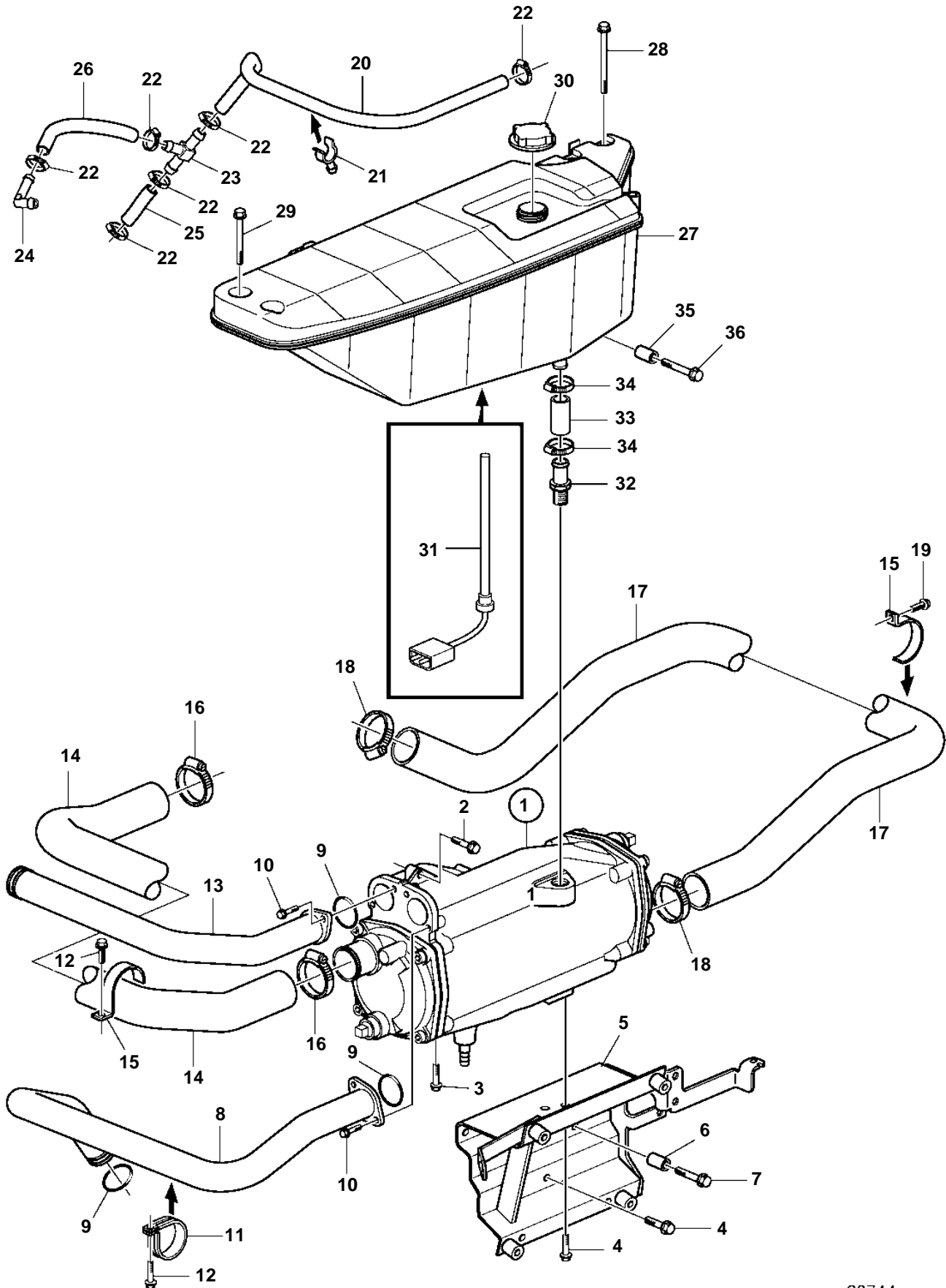


D9A2A 425, 500, 575, D9A2A MH



D9A2A 425, 500, 575, D9A2A MH

REF	PART NO.	QTY	DESCRIPTION	SEE SEC.	NOTES
1	3837053	1	Heat exchanger		
				7452	500hp
				7596	575hp
2	946671	1	Flange screw		
3	945444	2	Flange screw		
4	946173	3	Flange screw		
5	3837058	1	Bracket		
6	847240	3	Spacer sleeve		
7	947760	2	Flange screw		
8	3836308	1	Coolant pipe		
9	1547253	2	Sealing ring		
10	946173	4	Flange screw		
11	947457	2	Clamp		
12	967949	4	Screw		
13	3836309	1	Coolant pipe		
14	3836316	1	Hose		
15	948560	4	Clamp		
16	961672	4	Clamp		
17	3817427	1	Hose		For wet exhaust pipe elbow
18	961672	4	Clamp		
19	946544	2	Flange screw		
20	943367	1	Hose		L=620mm
21	9135343	2	Retainer		
22	961663	6	Clamp		
23	984445	1	Nipple		
24	942758	1	Nipple		
25	943367	X	Hose		L=170mm
26	943367	X	Hose		L=115mm
27	3587686	1	Expansion tank		
28	969225	2	Flange screw		
29	965181	2	Screw		
30	1674083	1	Pressure cap		
31	3588990	1	Level sensor		
32	990410	1	Hose nipple		
33	969033	X	Rubber hose		L=50mm
34	943474	2	Hose clamp		
35	833243	1	Spacer sleeve		
36	973924	1	Flange screw		