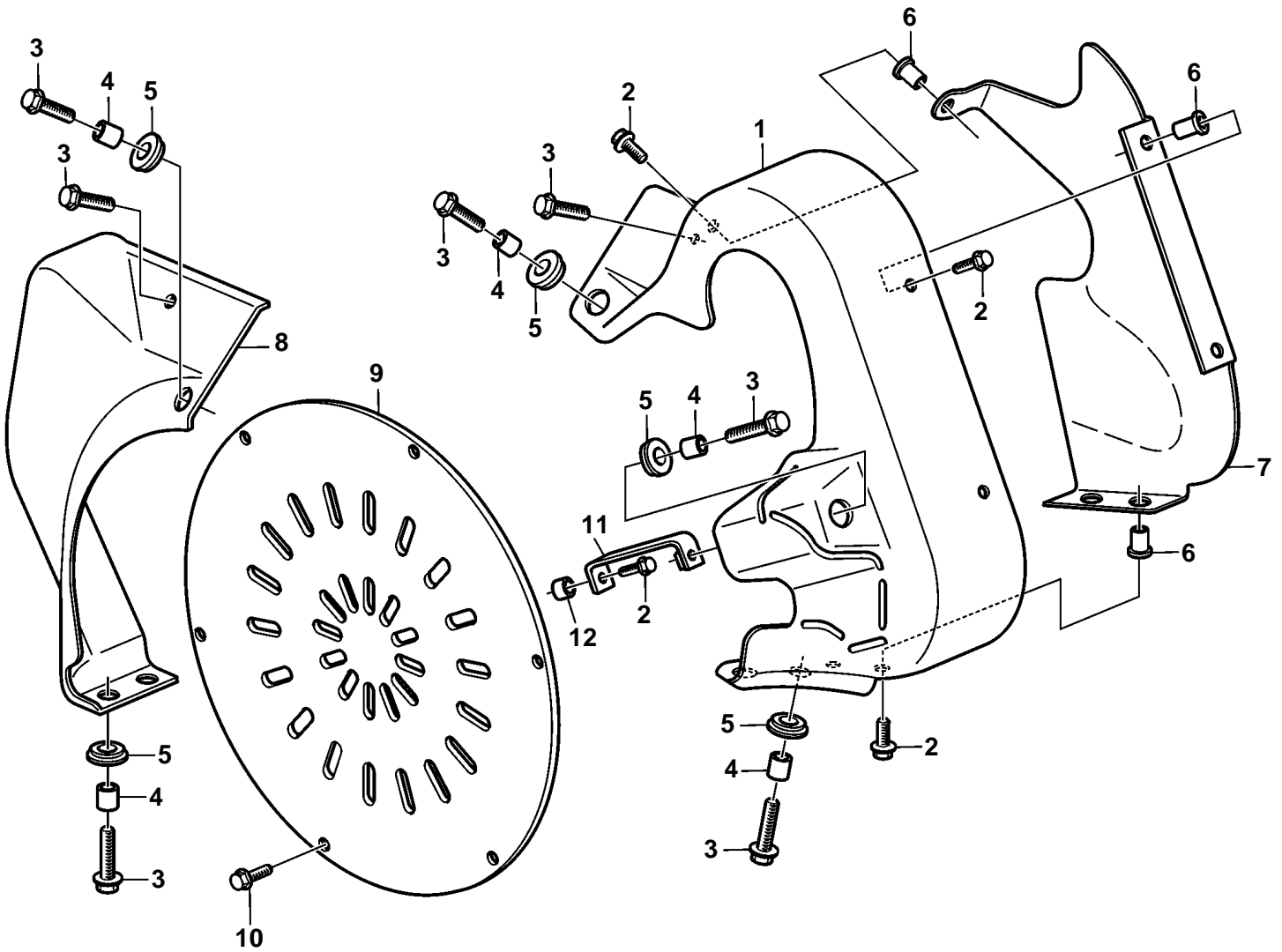


D9A2A MH



22365

D9A2A MH

REF	PART NO.	QTY	DESCRIPTION
1	3840619	1	Belt protector
2	947542	5	Screw
3	945444	7	Flange screw
4	3830336	5	Spacer
5	990240	5	Grommet
6	930760	5	Rivet nut
7	3840620	1	Belt protector
8	3840621	1	Belt protector
9	3840618	1	Belt protector
10	946502	6	Screw
11	3819090	1	Bracket
12	977799	1	Spacer sleeve