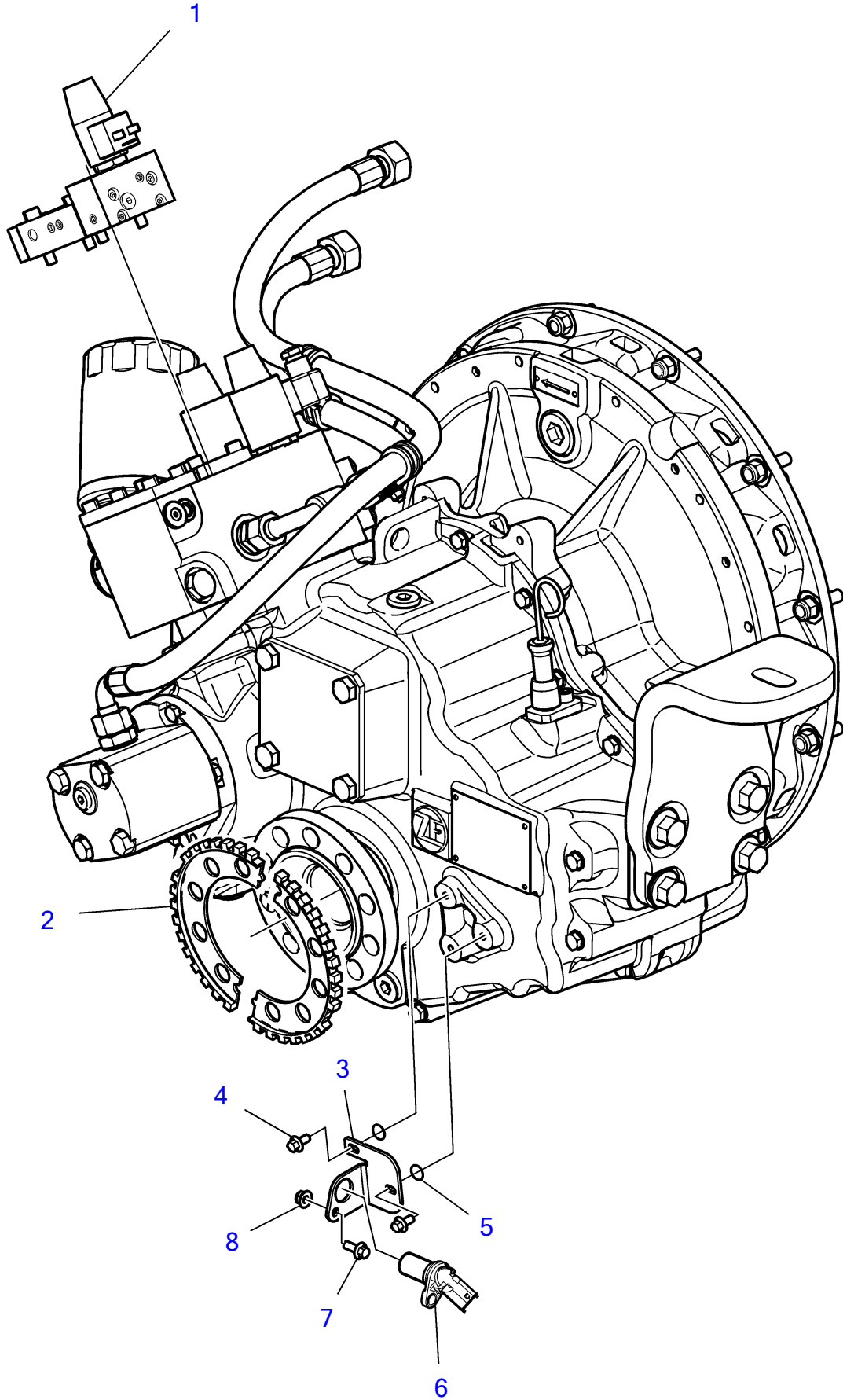


D8A1-A MP, D8A3-A MP



D8A1-A MP, D8A3-A MP

REF	PART NO.	QTY	DESCRIPTION
1	3837092	1	Slip valve
2	3595202	2	Sprocket wheel
3	3595206	1	Bracket
4	984724	2	Flange screw
5	994892	2	Spring washer
6	21426987	1	Speed sensor
7	984725	1	Flange screw
8	990949	1	Flange lock nut