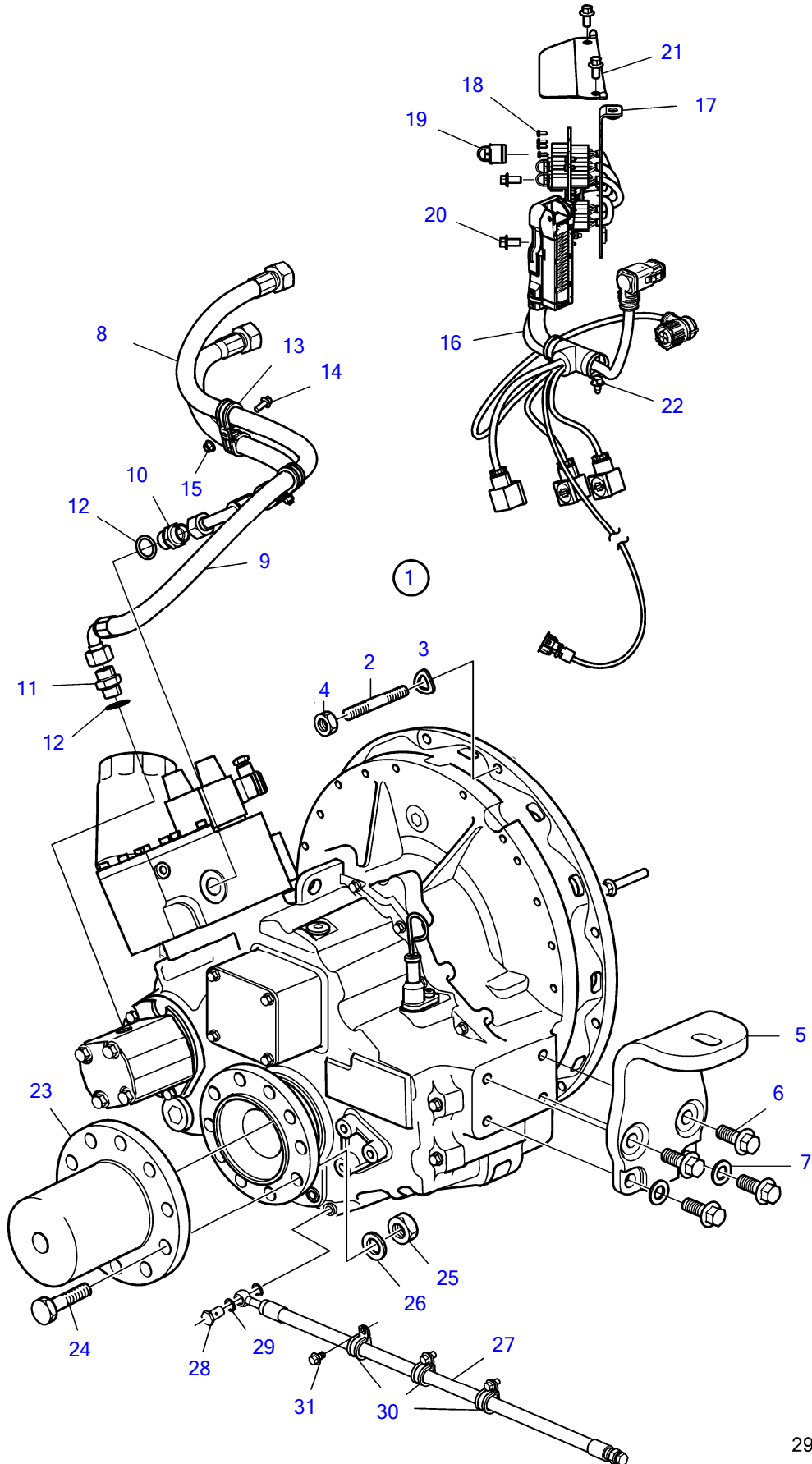


D8A1-A MP, D8A3-A MP



29267

D8A1-A MP, D8A3-A MP

REF	PART NO.	QTY	DESCRIPTION	NOTES
1		1	Reversing gear	Ratio 1.733:1
		1	Reversing gear	Ratio 2.037:1
		1	Reversing gear	Ratio 2.179:1
2	953067	12	Stud	
3	60112788	12	Spring washer	
4	990980	12	Lock nut	
5	3808128	2	Engine mounting	
6	994873	8	Washer	
7	984833	8	Flange screw	
8	22756057	1	Hose	
9	22756056	1	Hose	
10	990883	1	Nipple	
11	943986	1	Nipple	
12	18677	2	Gasket	
13	952632	4	Clamp	
14	984725	2	Flange screw	
15	990949	2	Flange lock nut	
16	22191290	1	Wiring harness	
17	21751128	1	Bracket	
18	969515	16	Six point socket scr	
19	3840433	5	Sealing plug	
20	984733	4	Flange screw	
21	22478948	1	Bracket	
22	980881	3	Cable tie	
23	3589507	1	Companion flange	
24	955739	10	Hexagon screw	
25	8123368	10	Lock nut	
26	994896	10	Spring washer	
27	3847464	1	Hose	For oil drain
28	941686	1	Hollow screw	
29	11996	2	Gasket	
30	947827	3	Clamp	
31	984751	3	Flange screw	