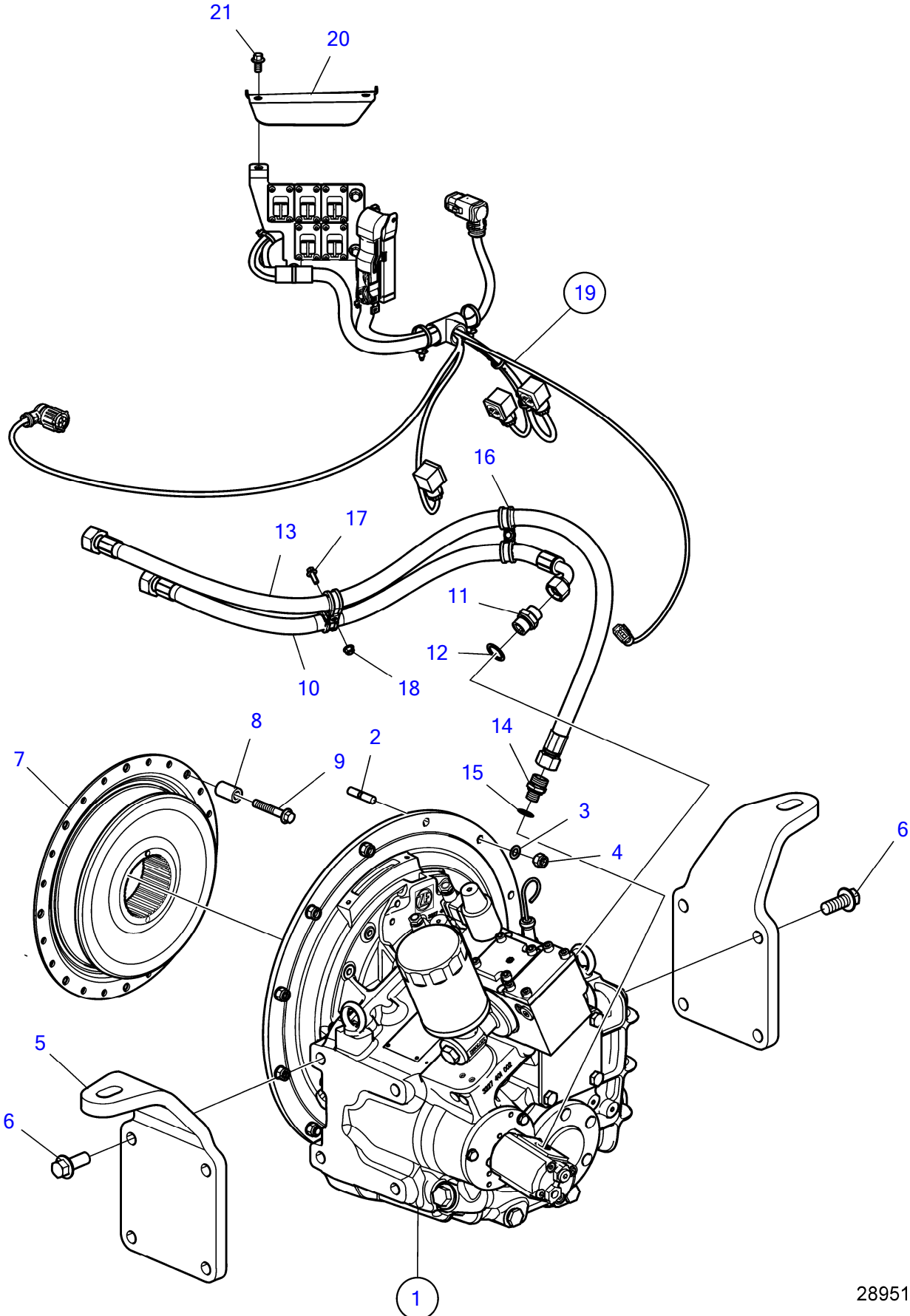


D8A1-A MP, D8A3-A MP



28951

D8A1-A MP, D8A3-A MP

REF	PART NO.	QTY	DESCRIPTION	SEE SEC.	NOTES
1		1	Reversing gear		Ratio 1.75:1
		1	Reversing gear		Ratio 1.99:1
		1	Reversing gear		Ratio 2.21:1
2	953067	12	Stud		
3	942336	12	Spring washer		
4	990980	12	Lock nut		
5	3840126	2	Engine mounting		
6	984833	8	Flange screw		
7	22611924	1	Flexible coupling		
8	995056	8	Spacer sleeve		
9	984757	8	Flange screw		
10	22430193	1	Hose		
11	990883	1	Nipple		
12	18677	1	Gasket		
13	22430190	1	Hose		
14	984667	1	Nipple		
15	11996	1	Gasket		
16	952632	4	Clamp		
17	984725	2	Flange screw		
18	990949	2	Flange lock nut		
19	22728078	1	Wiring harness		
			.		
			.	41677	
20	22478948	1	Bracket		
21	984733	2	Flange screw		