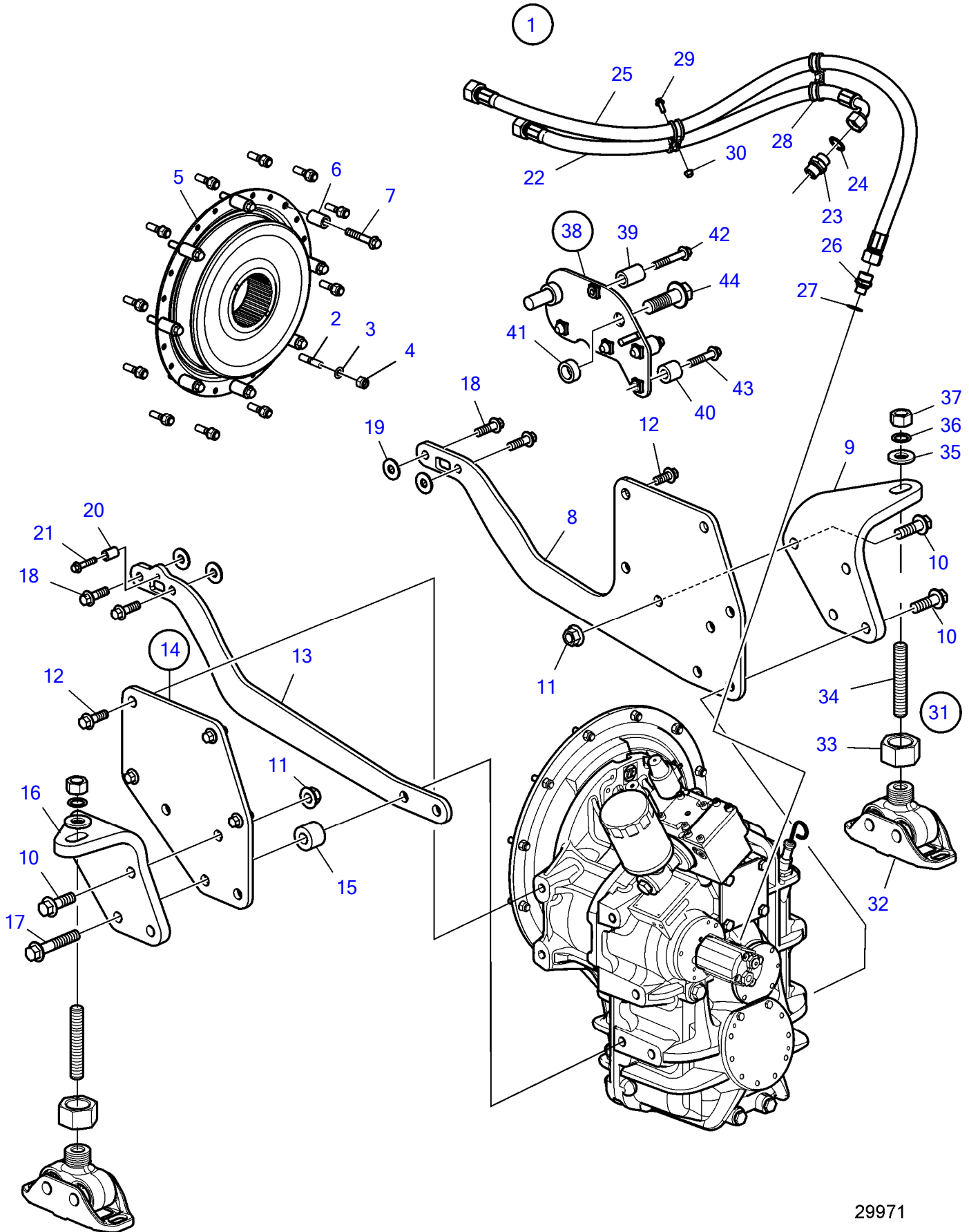


D8A1-A MP, D8A3-A MP



29971

D8A1-A MP, D8A3-A MP

REF	PART NO.	QTY	DESCRIPTION	NOTES
1		1	Reversing gear	Ratio 2.011:1
		1	Reversing gear	Ratio 2.322:1
		1	Reversing gear	Ratio 2.539:1
2	953067	12	Stud	
3	942336	12	Spring washer	
4	990980	12	Lock nut	
5	22611924	1	Flexible coupling	
6	995056	8	Spacer sleeve	
7	984757	2	Flange screw	
8	21562993	1	Stay	
9	3843416	1	Engine mounting	
10	984834	6	Flange screw	
11	990944	4	Flange nut	
12	996078	8	Flange screw	
13	21563024	1	Stay	
14	22615626	1	Engine mounting	
15	60112159	2	• Spacer sleeve	
16			• Engine mounting	Included in 22615626
17	984838	2	Flange screw	
18	984816	4	Flange screw	
19	994878	4	Washer	
20	847240	1	Spacer sleeve	
21	984738	1	Flange screw	
22	22430193	1	Hose	
23	990883	1	Nipple	
24	18677	1	Gasket	
25	22430190	1	Hose	
26	984667	1	Nipple	
27	11996	1	Gasket	
28	952632	4	Clamp	
29	984725	2	Flange screw	
30	990949	2	Flange lock nut	
31	3840982	2	Rubber cushion kit	
32	(3817321)	1	• Bracket	Obsolete part
33	3840980	1	• Nut	
34	3817323	1	• Adjusting screw	
35	991994	1	• Washer	
36	990697	1	• Lock washer	
37	990973	1	• Hexagon nut	
38	22372613	1	Bracket	
39	979138	3	• Spacer sleeve	
40	855773	2	• Spacer sleeve	
41	865074	2	• Spacer sleeve	
42	984739	3	Flange screw	
43	984738	2	Flange screw	
44	984834	2	Flange screw	