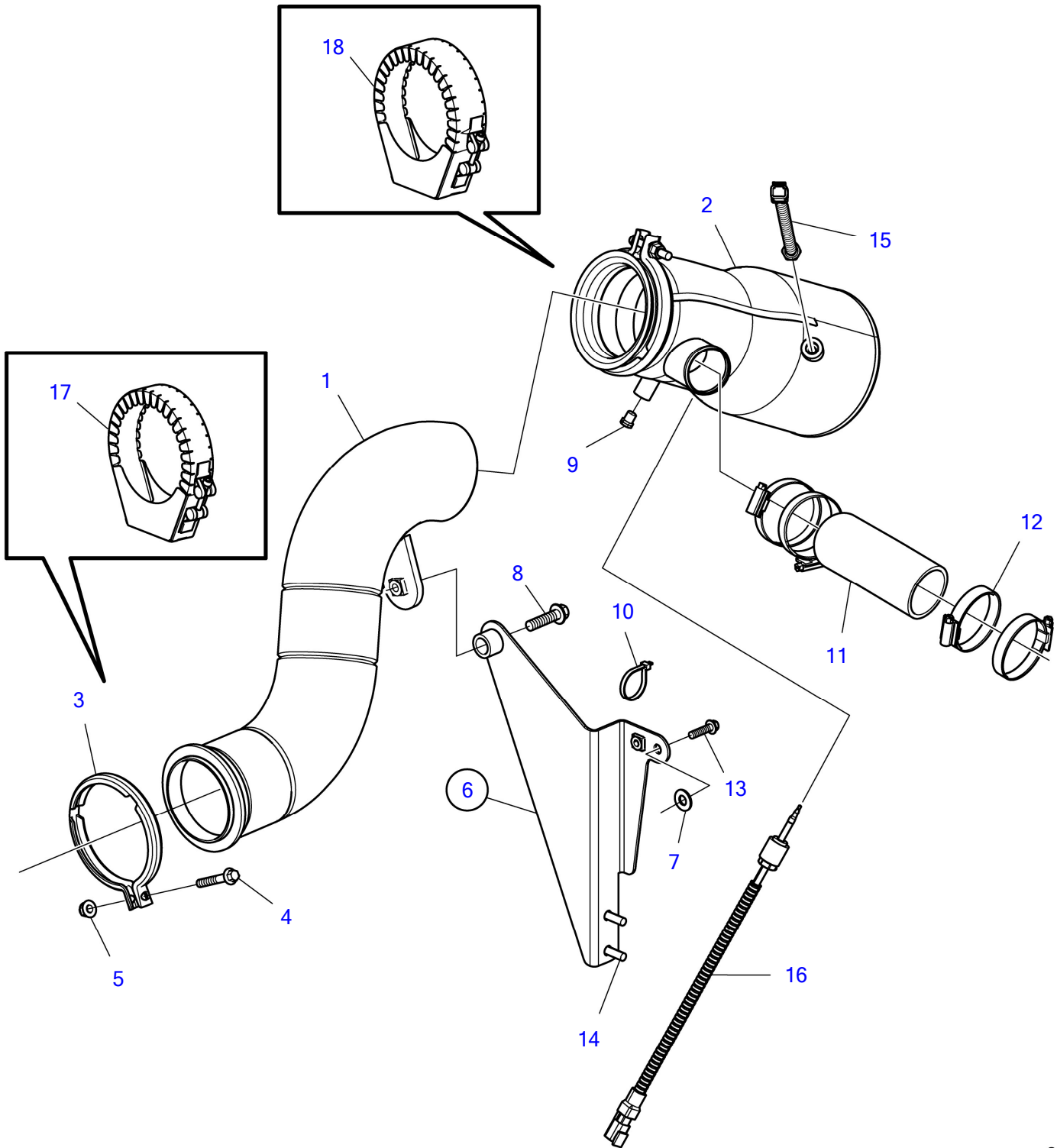


D8A1-A MP, D8A2-A MP



29553

D8A1-A MP, D8A2-A MP

REF	PART NO.	QTY	DESCRIPTION	NOTES
1	22696316	1	Exhaust riser	Replaced by 22710597
	22710597	1	Exhaust riser	
	22954906	1	Exhaust riser, high rise	Replaced by 22842926
2	22696906	1	Exhaust pipe	
	22842926	1	Exhaust pipe	
3	21211715	2	V-clamp	
4	994441	2	Flange screw	
5	990950	2	Flange lock nut	
6	22704001	1	Stay	Replaced by 23103840
	23103840	1	Stay	
7	994849	1	• Washer	
8	984755	1	Flange screw	
9	981749	1	Plug	
10	948211	1	Cable tie	
11	22726946	1	Hose	Replaced by 23030368
	23030368	1	Hose	
	22954627	1	Hose, high rise	Replaced by 23184966
	23184966	1	Hose	
12	961672	4	Hose clamp	
13	984735	1	Flange screw	
14	984753	2	Flange screw	
15	21164414	1	Temperature sensor	
16	21164790	1	Temperature sensor	
17	22966387	1	Heat insulation	
18	23183473	1	Heat insulation	