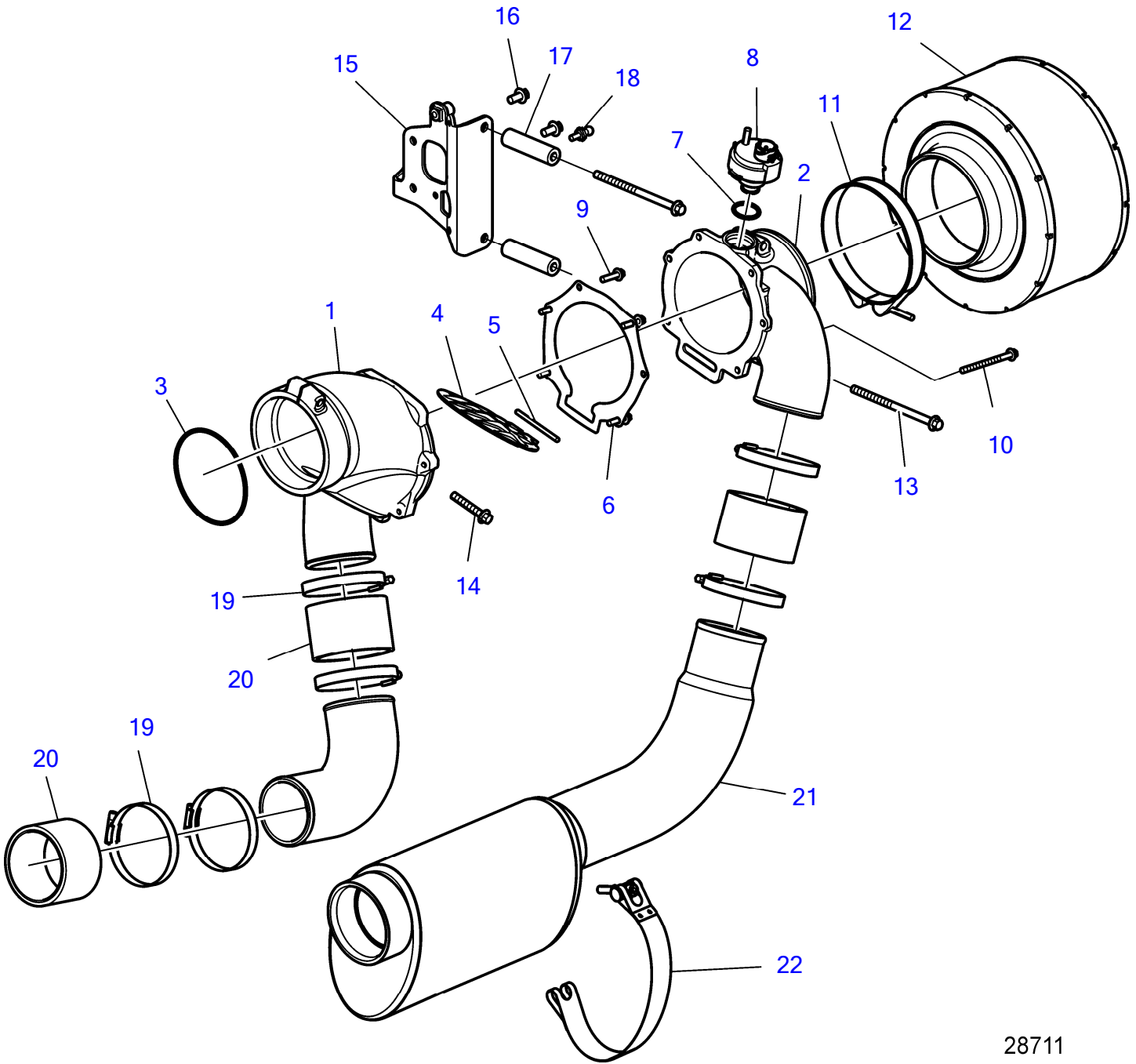


D8A2-A MP, D8A4-A MP



28711

D8A2-A MP, D8A4-A MP

| REF | PART NO. | QTY | DESCRIPTION | NOTES |
|-----|----------|-----|----------------|----------------------|
| 1 | 22853275 | 1 | Air shutter | |
| 2 | 22635268 | 1 | Air shutter | |
| 3 | 925261 | 1 | O-ring | |
| 4 | 22048390 | 1 | Disc | |
| 5 | 22664771 | 1 | Shaft | |
| 6 | 22048376 | 1 | Gasket | |
| 7 | 975664 | 1 | O-ring | |
| 8 | 20565673 | 1 | Vacuum switch | Replaced by 22996282 |
| | 22996282 | 1 | Vacuum switch | Replaced by 23307415 |
| | 23307415 | | Vacuum switch | |
| 9 | 984727 | 5 | Flange screw | |
| 10 | 994379 | 1 | Flange screw | |
| 11 | 1544735 | 1 | Hose clamp | |
| 12 | 21531676 | 1 | Air filter | Replaced by 22834532 |
| | 22834532 | 1 | Air filter | |
| 13 | 984747 | 2 | Flange screw | |
| 14 | 984739 | 1 | Flange screw | |
| 15 | 22901638 | 1 | Bracket | |
| 16 | 984733 | 2 | Flange screw | |
| 17 | 60112080 | 2 | Spacer sleeve | |
| 18 | 82462856 | 1 | Ball joint | |
| 19 | 22274886 | 6 | Hose clamp | |
| 20 | 22561885 | 2 | Hose | |
| 21 | 22627947 | 1 | Inlet silencer | |
| 22 | 22714482 | 1 | Clip kit | Replaced by 23041243 |
| | 23041243 | 1 | Clip kit | |