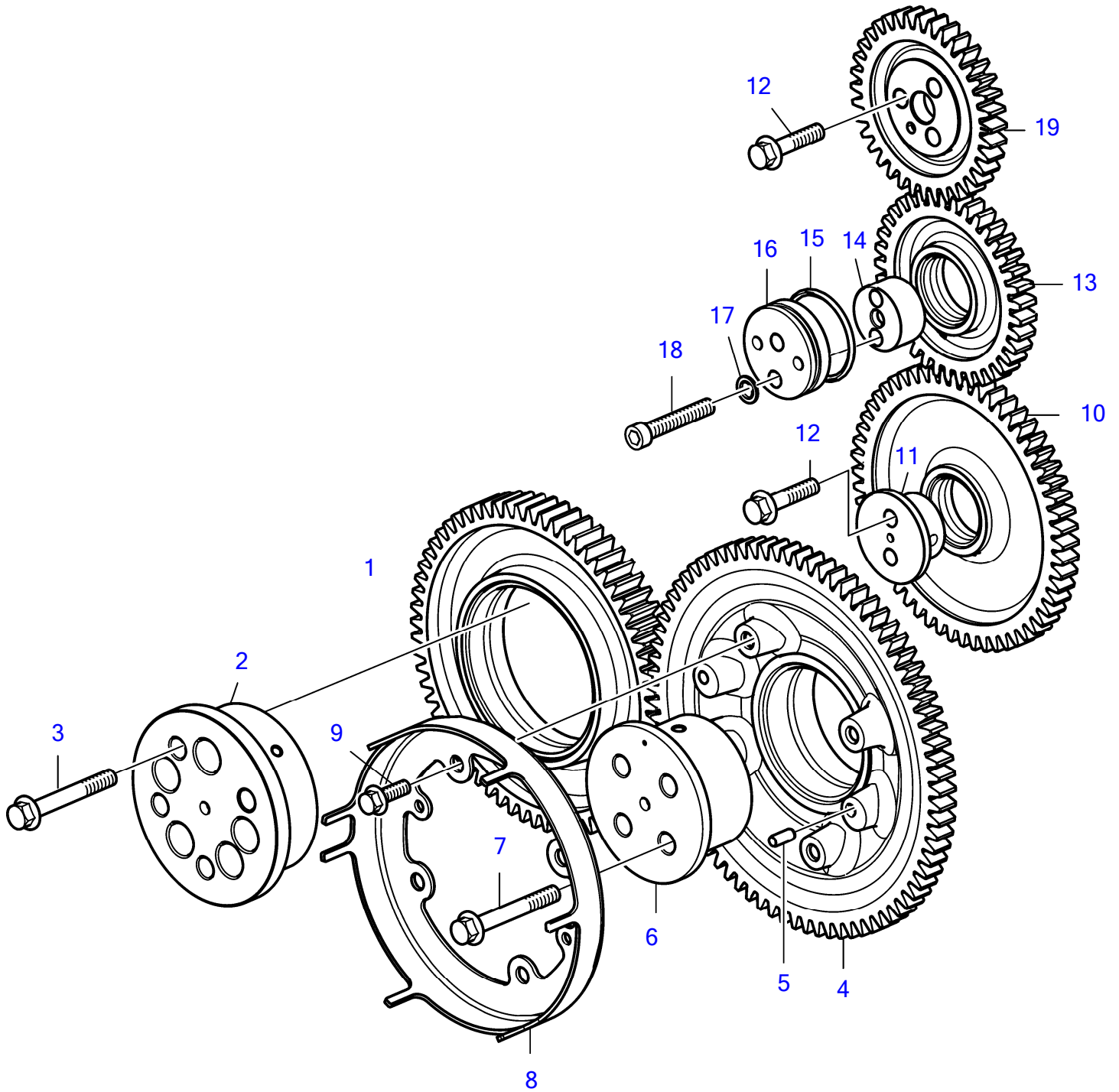


D8A1-A MP, D8A2-A MP, D8A3-A MP, D8A4-A MP



28384

D8A1-A MP, D8A2-A MP, D8A3-A MP, D8A4-A MP

REF	PART NO.	QTY	DESCRIPTION	NOTES
1	22492501	1	Idler gear	Replaced by 21860076
	21860076	1	Idler gear	
2	21797112	1	Hub	
3	975206	4	Flange screw	
4	22492491	1	Idler gear	Replaced by 21797099
	21797099		Idler gear	
5	994304	2	• Pin	
6	21797110	1	Hub	
7	994208	4	Flange screw	
8	21797114	1	Plate	Replaced by 22617794
	22617794	1	Plate	
9	994383	4	Flange screw	
10	21860001	1	Idler gear	Replaced by 22475115
	22475115	1	Idler gear	
11	21736273	1	Hub	
12	975199	5	Flange screw	
13	21860003	1	Idler gear	
14	21736275	1	Hub	
15	976042	1	O-ring	
16	21736279	1	Plate	
17	964106	2	Gasket	
18	60111169	2	Hex. socket screw	
19	21735434	1	Gear	