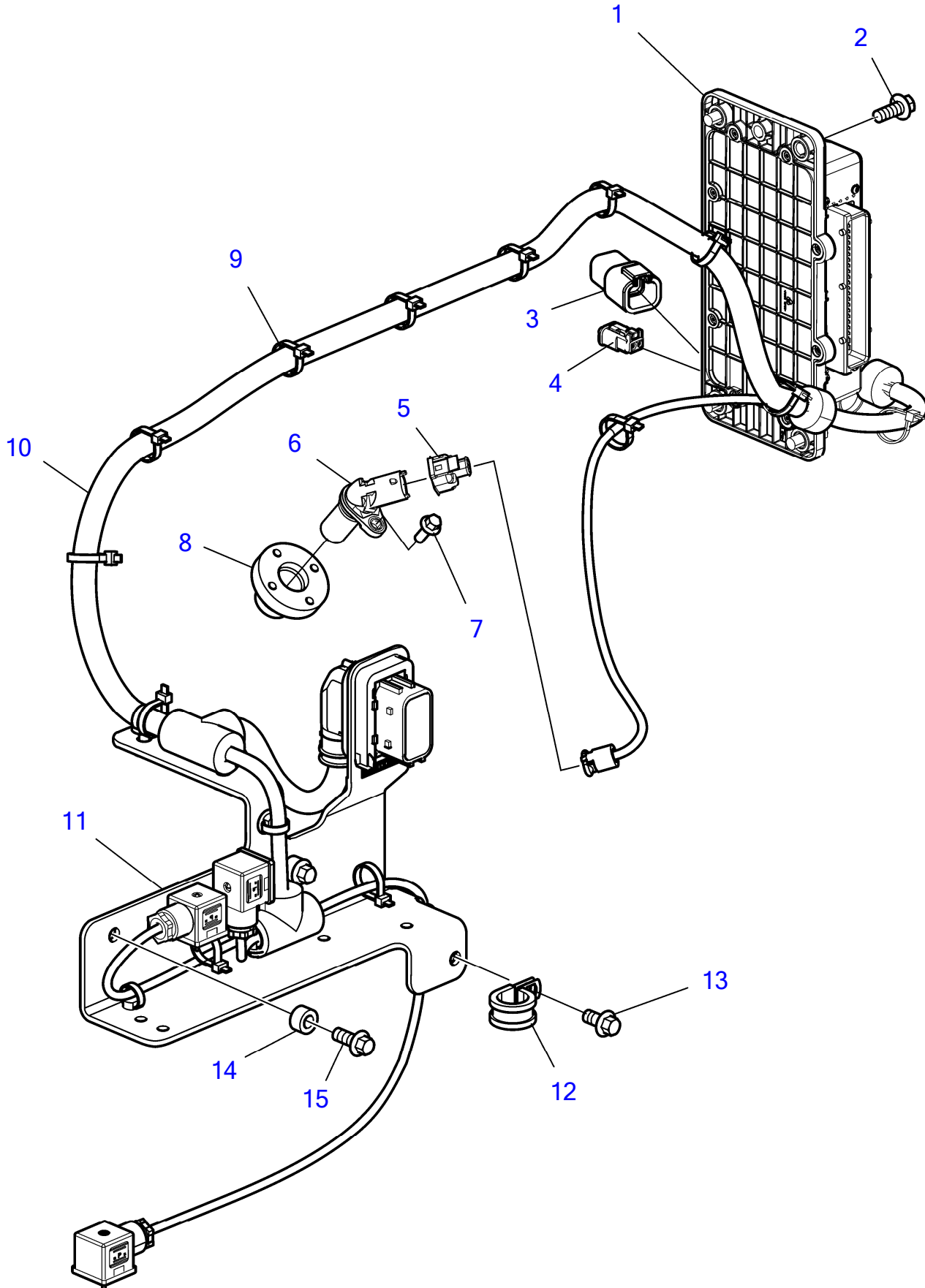


D8A3-A MP, D8A4-A MP



D8A3-A MP, D8A4-A MP

REF	PART NO.	QTY	DESCRIPTION	NOTES
1	22642634	1	Power train control	
	3586266	X	Software	Vodia-programming. This p/n can not be ordered, but will be used for invoicing.
	3586267	X	Software	Warehouse programming. This p/n can not be ordered, but will be used for invoicing.
2	984734	10	Flange screw	
3		1		
4		1	Housing	
5	874368	1	Receptacle housing	
6	21426987	1	Speed sensor	
7	984725	1	Flange screw	
8	22929229	1	Adapter	
9	948211	13	Cable tie	
10	22284921	1	Wiring harness	
11	23446133	1	Bracket	
12	1545432	1	Attaching clamp	
13	984733	1	Flange screw	
14	946048	4	Spacer washer	
15	984734	4	Flange screw	