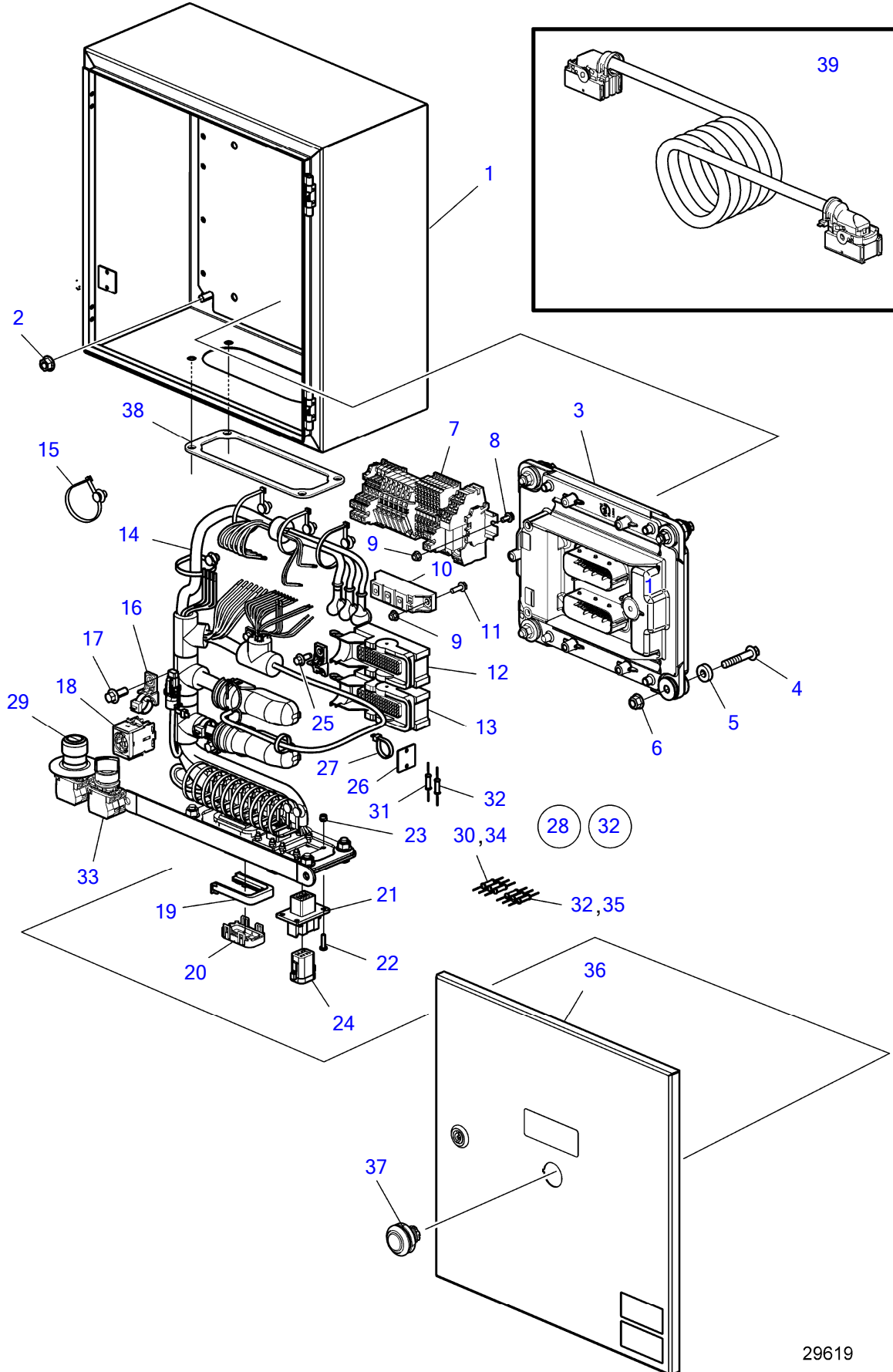


D8A3-A MP, D8A4-A MP



29619

## D8A3-A MP, D8A4-A MP

REF	PART NO.	QTY	DESCRIPTION	NOTES
1		1	Box	
2	990940	8	Flange nut	
3	22754802	1	Control unit	
4	994385	4	Flange screw	
5	807183	4	Spacer sleeve	
6	990950	8	Flange lock nut	
7	22714401	1	Terminal block	
8	996063	2	Flange screw	
9	990948	4	Flange lock nut	
10	23088403	1	Diode	
11	996061	2	Flange screw	
12	20429843	1	Housing	
13	20429842	1	Housing	
14	22284923	1	Wiring harness	
15	990073	15	Cable tie	
16	993183	2	Cable tie	
17	984734	2	Flange screw	
18	3817575	1	Contact unit	
19	995172	1	Adapter	
20	60112494	1	Cover	
21	874432	1	Tab housing	
22	994924	4	Six point socket scr	
23	990976	4	Lock nut	
24		1	Cover	
25	60113518	25	Flange screw	Replaced by 60114373
	60114373	25	Flange screw	
26	21072815	2	Retainer	
27	948211	2	Cable tie	
28	23095840	1	Kit	Emergency Stop
29		1	• Push button	
30	21448405	1	• Resistor	2,2 KOHM 3W 5%
31	22855031	1	• Resistor	360 OHMS ± 5% 3 WATT
32	23095841	1	Kit	Override Switch
33		1	• Switch	
34	21448405	1	• Resistor	2,2 KOHM 3W 5%
35	22855031	1	• Resistor	360 OHMS ± 5% 3 WATT
36			Lid	
37	3817578	1	Push button	
38	23042328	1	Gasket	
39	22954727	1	Wiring harness	Extension cable, L=11000mm