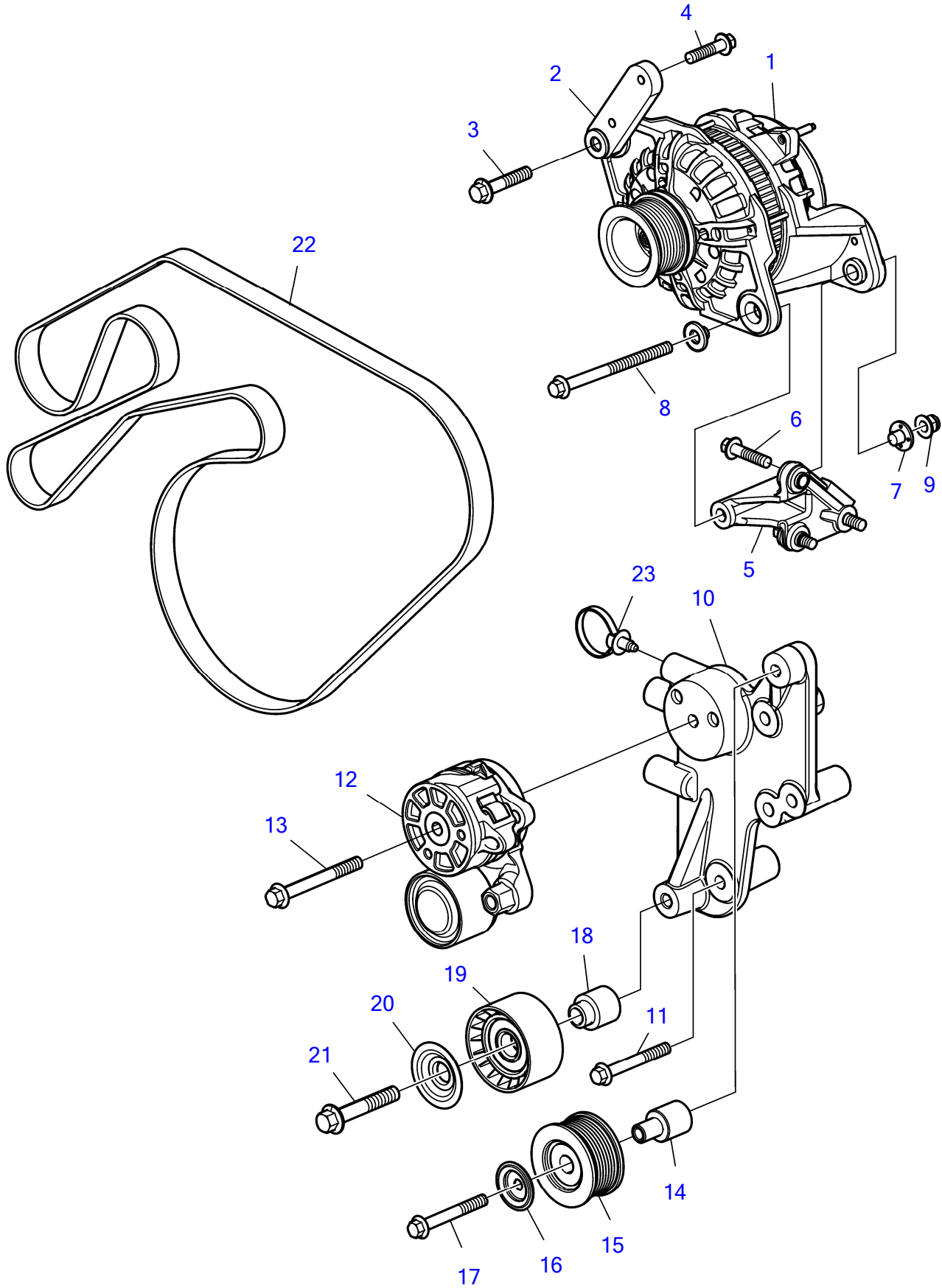


D8A2-A MP, D8A4-A MP



D8A2-A MP, D8A4-A MP

REF	PART NO.	QTY	DESCRIPTION	NOTES
1	22117421	1	Alternator	24V 80A, SN-700844815
	23023276	1	Alternator	24V 80A, SN700844816-
2	21621101	1	Bracket	
3	984756	1	Flange screw	
4	984739	1	Flange screw	
5	21621111	1	Bracket	Replaced by 23182845
	23182845		Bracket	
6	984850	3	Flange screw	
7	21308514	2	Insulating bushing	
8	984826	1	Flange screw	
9	990960	1	Flange lock nut	
10	21926054	1	Bracket	
11	984758	4	Flange screw	
12	22307251	1	Belt tensioner	
13	984760	1	Flange screw	
14	3887334	1	Hub sleeve	
15	20357382	1	Idler pulley	
16	8097084	1	Cover	
17	975103	1	Flange screw	
18	3818176	2	Hub	
19	3887305	2	Idler pulley	
20	3809563	2	Cap	
21	990813	2	Flange screw	
22	60111560	1	V-ribbed belt	SN-700844815
	22954700	1	V-ribbed belt	SN700844816-
23	980881	1	Cable tie	