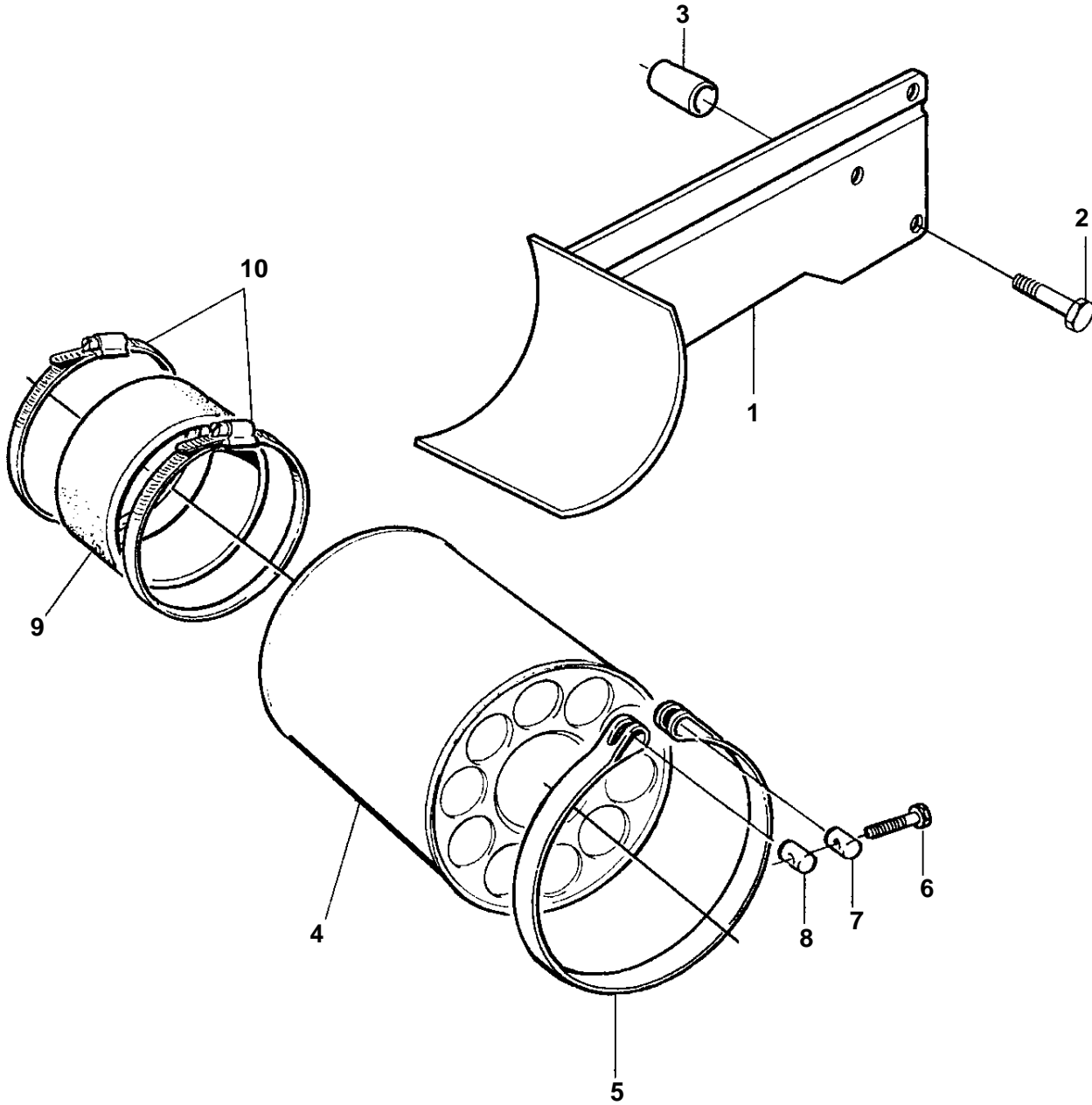


TAMD71B



TAMD71B

REF	PART NO.	QTY	DESCRIPTION
1	3826829	1	Bracket
2	965184	3	Screw
3	807257	3	Spacer sleeve
4	842280	1	Air filter
5	821028	1	Tensioning band
6	31406	1	Screw
7	31405	1	Pin
8	31404	1	Pin
9	3825689	1	Rubber collar
10	943484	2	Hose clamp