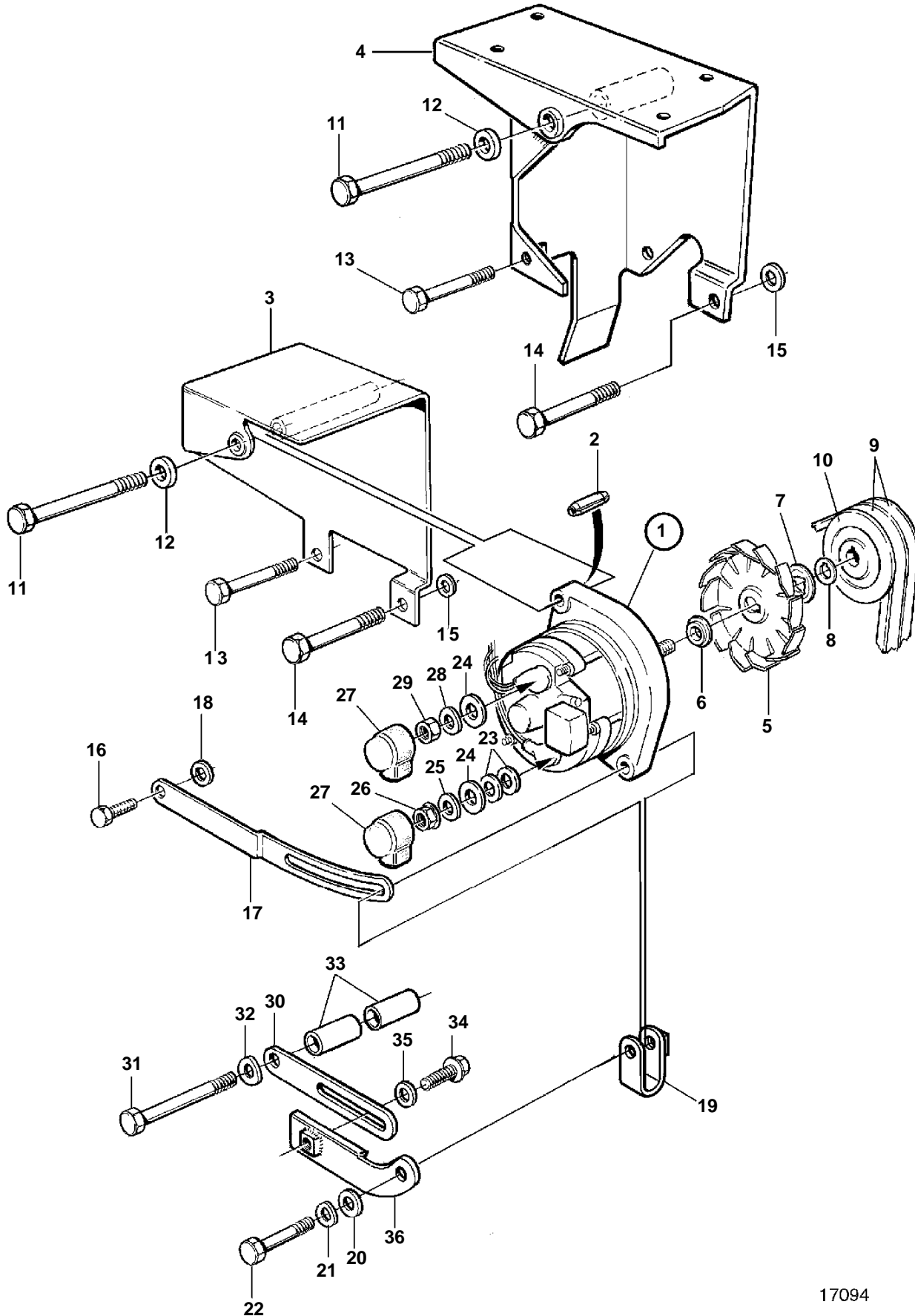


TAMD71B



17094

TAMD71B

REF	PART NO.	QTY	DESCRIPTION	SEE SEC.	NOTES
1	872018	1	Alternator		REPL BY 872235. For 12 voltage electric system.. Do not use the fan which is included in complete alternator. Correct fan is stated on the referred page. SN-XXXXXXXXXX/63493
				322	
	872235	1	Alternator		SNXXXXXXXXXX/63494-. For 12 voltage electric system.. Do not use the fan which is included in complete alternator. Correct fan is stated on the referred page.
	3803260	1	Alternator,exch		Exchange unit
				448	
	872021	1	Alternator		REPL BY 873757. For 24 voltage electric system.. Do not use the fan which is included in complete alternator. Correct fan is stated on the referred page. SN-XXXXXXXXXX/91110
				3838	
	873757	1	Alternator		REPL BY 873771. For 24 voltage electric system. SNXXXXXXXXXX/91111-
				3838	
	873771	1	Alternator		
	3803443	1	Alternator,exch Comps. not spec.		Exchange unit
2	1610144	1	Pin		
3	849454	1	Bracket		REPL BY 3828398
4	3828398	1	Alternator bracket		(3826260)
5	848971	1	Fan		SN-XXXXXXXXXX/63493
		1	Fan kit		SNXXXXXXXXXX/63494-
6	862897	1	· Spacer washer		
7		1	· Spacer		
8		1	· Washer		
9	967193	1	V-belt kit		
10	849617	1	Pulley		
11	970966	1	Screw		
12	946335	1	Washer		
13	965183	1	Flange screw		
14	965190	1	Screw		
15	955894	1	Washer		
16	946173	1	Flange screw		
17	830747	1	Tensioner		
18	976944	1	Washer		
19	466734	1	Tensioning eyelet		
20	976944	1	Washer		
21	941908	1	Spring washer		
22	947760	1	Flange screw		
23	940090	2	Washer		
24	960140	2	Washer		
25	941905	1	Spring washer		
26	965483	1	Nut		
27	1234326	2	Protective cap		
28	949607	1	Spring washer		
29	955781	1	Nut		
30	809307	1	Tensioner		ALT
31	970987	1	Screw		L=150mm
32	940280	1	Spring washer		
33	824334	2	Spacer sleeve		
34	946173	1	Flange screw		
35	976944	1	Washer		
36	847956	1	Tensioner		ALT