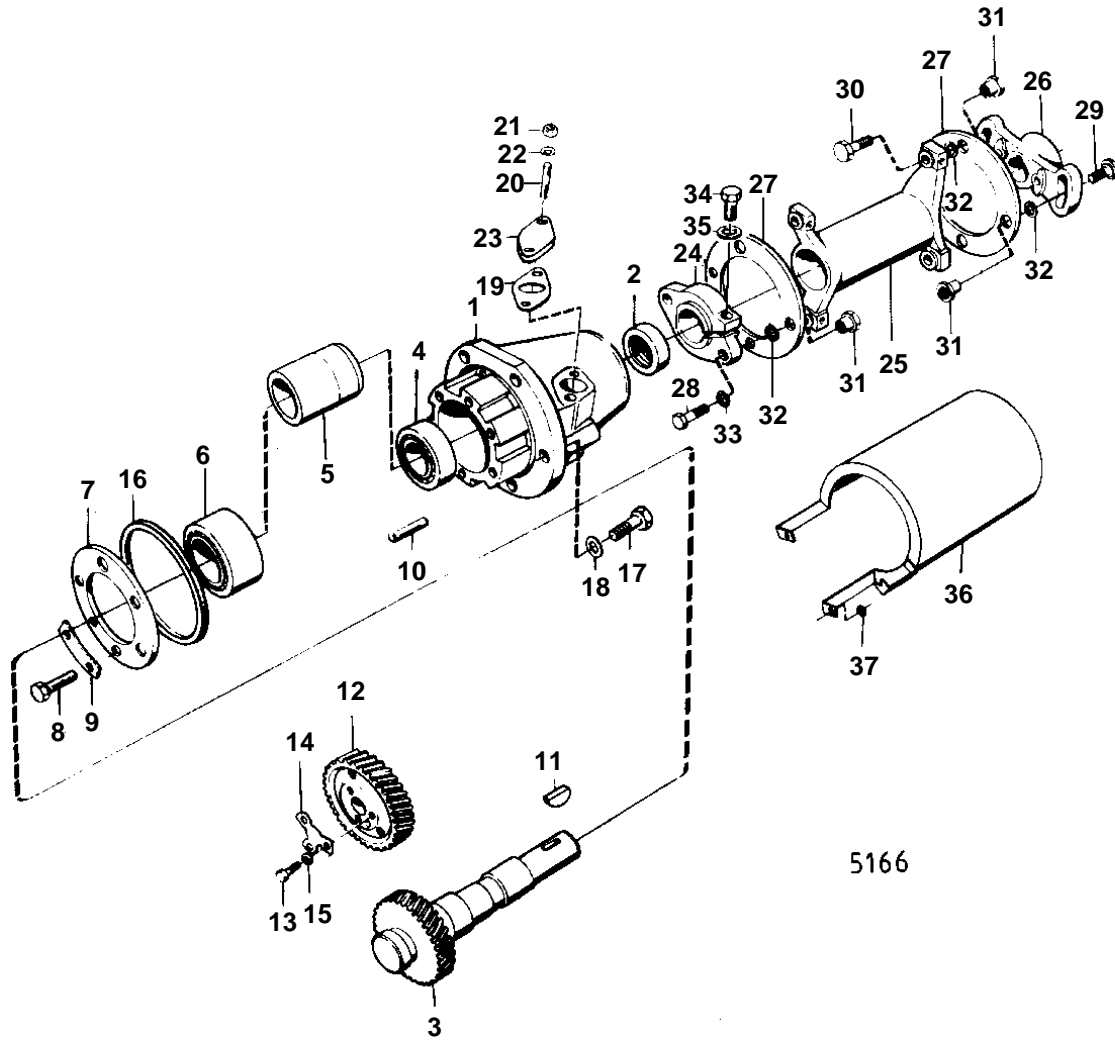


D70CHC,D70CRC,TD70CHC,TD70CRC



5166

D70CHC,D70CRC,TD70CHC,TD70CRC

REF	PART NO.	QTY	DESCRIPTION		NOTES
1	421074	1	Bearing housing		
2	424580	1	Sealing ring	IK	(941580)
3	422073	1	Shaft		
4	11013	1	Ball bearing		
5	467347	1	Spacer sleeve		
6	181577	1	Ball bearing		
7	423074	1	Washer		
8	940100	6	Screw		
9	421415	3	Lock washer		
10	950586	1	Pin		
11	422329	1	Woodruff key		
12	421079	1	Gear		SEE GROUP 2A
13	102056	3	Screw		
14	467052	1	Lock washer		
15	467055	3	Washer		
16	423123	1	Sealing ring		
17	955525	4	Screw		L = 25 MM
	955527	1	Screw		L = 57 MM
18	941907	5	Spring washer		
19	422130	1	Gasket		
20	953224	2	Stud		
21	955825	2	Nut		
22	941906	2	Spring washer		
23	422643	1	Cover		
24	422184	1	Companion flange		
25	471368	1	Intermediate section		(421188
26	467471	1	Companion flange		REPLACED BY 1EA 422461 CARRIER, 3EA 417512 CLUTCH PLATE, 2EA 417514 WASHER, 2EA 422469 SCREW AND 2EA 422187 NUT.
	422461	1	Companion flange		
27	417512	3	Dog clutch disc		
28	955675	2	Screw		
29	422469	2	Screw		
30	955676	2	Screw		
31	422187	6	Nut		
32	417514	6	Washer		
33	940097	2	Washer		
34	940160	1	Screw		
35	955896	1	Washer		
36	822876	1	Pump coupling guard		
37	955894	1	Washer		