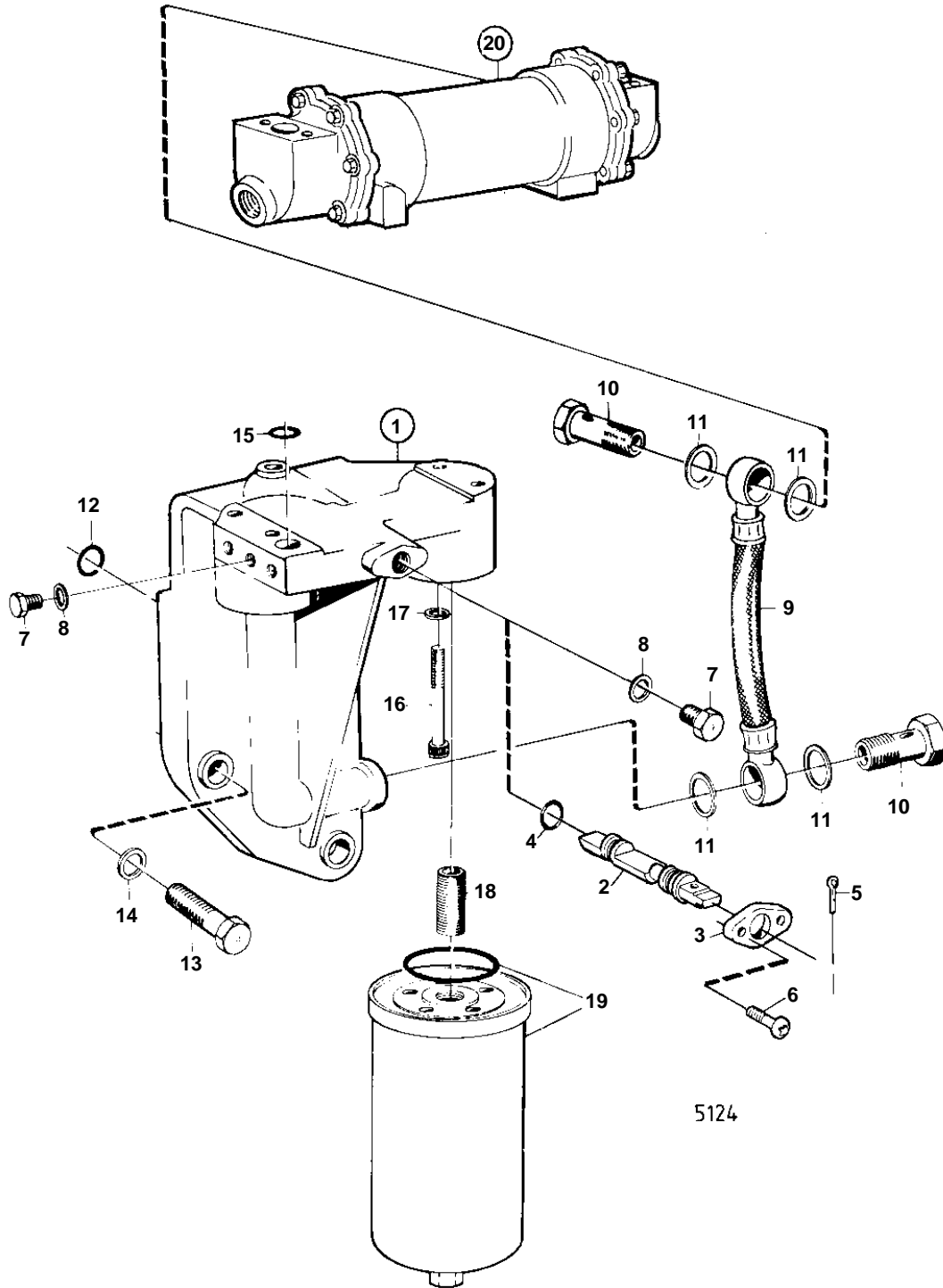


D70CHC,TD70CHC



D70CHC,TD70CHC

REF	PART NO.	QTY	DESCRIPTION		NOTES
1	820516	1	Bracket		
	842072	1	Shift valve, SHIFT VALVE VALVE		SEE GROUP 2B
2	842074	1	· Valve peg		FOR BRACKET 842072.
3	823513	1	· Flange		FOR BRACKET 842072.
4	925057	2	· Rubber ring		FOR BRACKET 842072.
5	907861	1	· Cotter pin		FOR BRACKET 842072.
6	950022	2	· Screw		FOR BRACKET 842072.
7	914390	6	Plug		FOR BRACKET 820516.
	914390	5	Plug		FOR BRACKET 842072.
8	957177	6	Gasket		FOR BRACKET 820516.
	957177	5	Gasket		FOR BRACKET 842072.
9	820537	1	Hose		
10	804478	2	Hollow screw		
11	957185	4	Gasket	IK	
12	925059	2	O-ring	IK	
13	940162	3	Screw		
14	942336	3	Spring washer		
15	955987	1	O-ring		SEE GROUP 2B
16	956571	3	Screw		L = 32 MM SEE GROUP 2B
	956572	1	Screw		L = 38 MM SEE GROUP 2B
17	11992	4	Gasket	IK	SEE GROUP 2B
18	423067	2	Nipple		
19	4785974	2	Oil filter		
20		1	OIL COOLER		SEE GROUP 2B