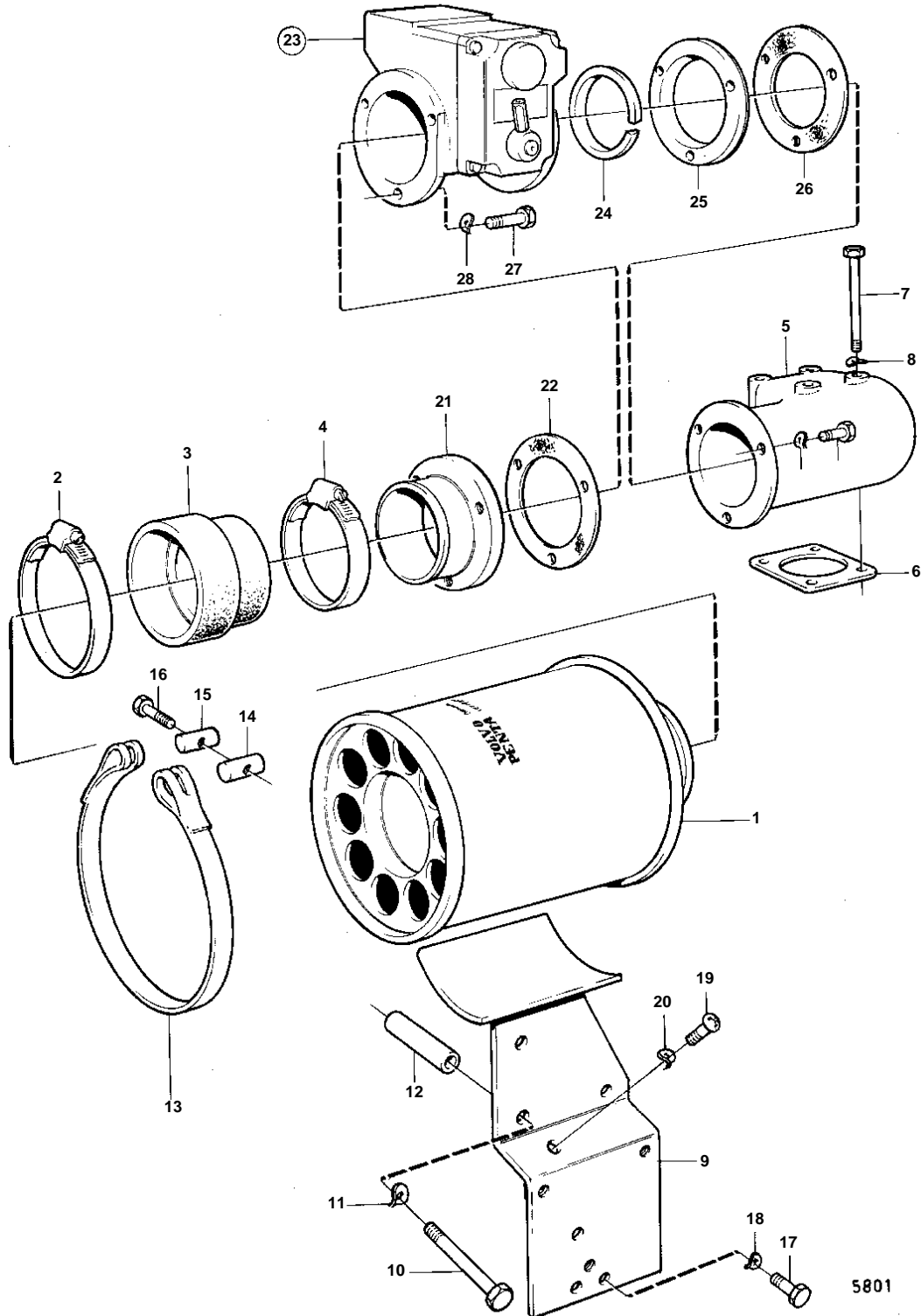


D70CHC,D70CRC



D70CHC,D70CRC

REF	PART NO.	QTY	DESCRIPTION	SEE SEC.	NOTES
1	842280	1	Air filter		
2	943484	1	Hose clamp		
3	843409	1	Fitting		
4	943483	1	Hose clamp		
5	845637	1	Connection pipe		
6	424619	1	Gasket	02B-0650	
7	955532	2	Screw		L = 95 MM
	959793	2	Screw		L = 114 MM
8	941907	4	Spring washer		
9	845648	1	Bracket		
10	955532	3	Screw		
11	941907	3	Spring washer		
12	821541	1	Sleeve		L = 37 MM
	821542	2	Spacer sleeve		L = 51 MM
13	821028	1	Tensioning band		
14	31405	1	Pin		
15	31404	1	Pin		
16	31406	1	Screw		
17	940135	3	Screw		
18	941907	3	Spring washer		
19	956091	1	Screw		
20	941906	1	Spring washer		
21	843717	1	Connection flange		
22	862590	1	Gasket		(843718)
23		1	EMERGENCY STOP		SEE GROUP 3
24	843703	1	Clamping ring		WHEN EMERGENCY STOP IS INSTALLED.
25	843704	1	Attaching ring		WHEN EMERGENCY STOP IS INSTALLED.
26	862590	1	Gasket		(843718). WHEN EMERGENCY STOP IS INSTALLED.
27	959223	1	Screw		L = 30 MM. WHEN EMERGENCY STOP IS INSTALLED.
	959224	1	Screw		L = 35 MM. WHEN EMERGENCY STOP IS INSTALLED.
	959233	1	Screw		L = 80 MM. WHEN EMERGENCY STOP IS INSTALLED.
28	941907	3	Spring washer		WHEN EMERGENCY STOP IS INSTALLED.