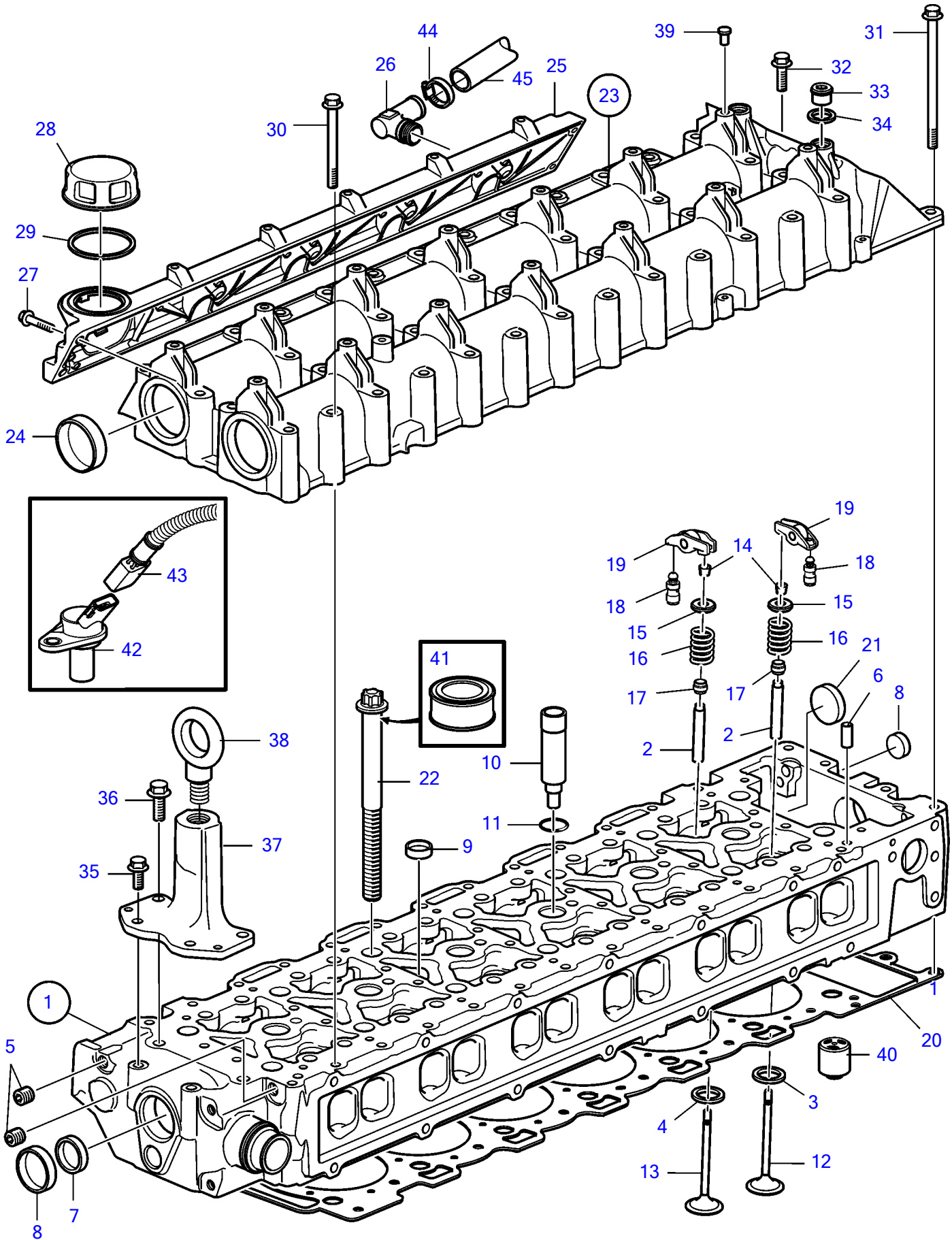


D6-300A-F, D6-300D-F (MC), D6-300I-F, D6-330A-F, D6-330D-F, D6-330I-F, D6-370A-F, D6-370D-F, D6-370I-F



26592

D6-300A-F, D6-300D-F (MC), D6-300I-F, D6-330A-F, D6-330D-F, D6-330I-F, D6-370A-F, D6-370D-F, D6-370I-F

REF	PART NO.	QTY	DESCRIPTION	SEE SEC.	NOTES
1	3801256	1	Cylinder head		
2	3580892	24	• Valve guide		
3	3581861	12	• Valve seat, intake		
4	3581862	12	• Valve seat, exhaust		
5	990828	4	• Plug		
6	950564	2	• Pin		
7	24426721	2	• Expansion plug		
8	8131707	2	• Cap plug		
9	3583579	11	• Expansion plug		
10	889970	6	• Sleeve		
11	3583753	6	• O-ring		
12	3884010	12	• Inlet valve		
13	3884015	12	• Exhaust valve		
14	861703	48	• Valve cotter		
15	3889240	24	• Valve spring washer		
16	3581889	24	• Valve spring		
17	861700	24	Valve seal		
			• Installation Instruction 7738839	7738839-EN	Changing of valve stem seal
18	3581894	24	Rocker arm		
19	3581893	24	Cam		
20	21165390	1	Gasket		
21	3588502	2	Expansion plug		
22	21384459	14	Six point screw		
23	21454063	1	Valve cover		
24	8130035	2	• Expansion plug		
25		1	• Cover		
26	3583959	1	• • Elbow nipple		
27	948356	7	• Flange screw		
28	1275403	1	Oil filler cap		
29	1275379	1	Gasket		
30	965182	40	Flange screw		
31	968999	3	Flange screw		
32	945444	1	Flange screw		
33	966143	2	Plug		
34	947622	2	Gasket		
35	946329	2	Flange screw		
36	946173	2	Flange screw		
37	3888143	1	Lifting bracket		
38	984458	1	Lifting eye		
39	3584061	14	Washer		
40	3582933	2	Valve		
41	3588347	X	Lubricant		25G
42	21426987	1	Speed sensor		
43	21138239	1	Wiring harness		
44	994559	1	Hose clamp	37289	
45	190993	1	Hose		L=265mm