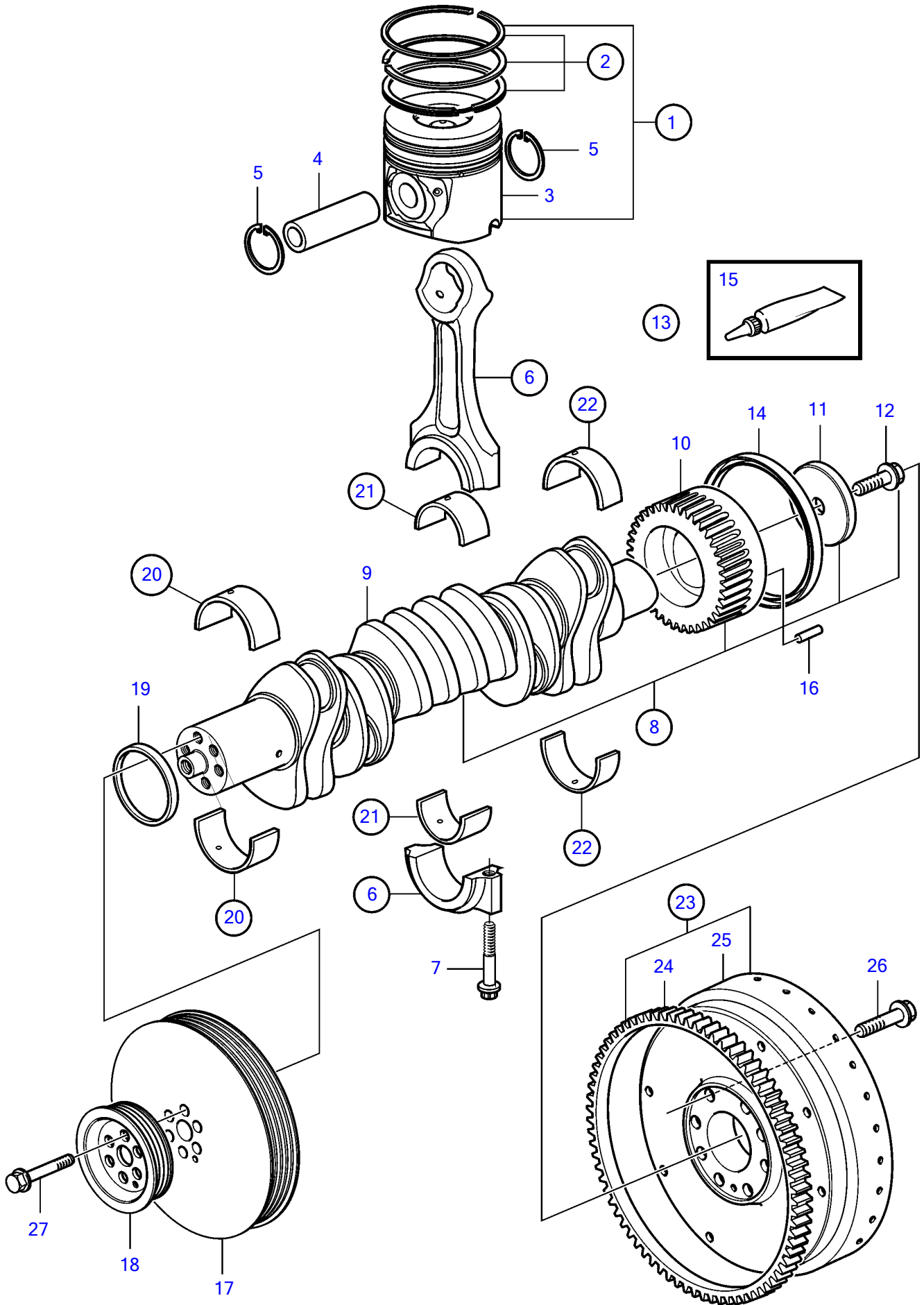


D6-400A-F, D6-435D-F, D6-435I-SC-F, D6-435I-WJ-F



D6-400A-F, D6-435D-F, D6-435I-SC-F, D6-435I-WJ-F

REF	PART NO.	QTY	DESCRIPTION	NOTES
1	21921546	6	Piston kit	Std
2	21711728	1	• Piston ring kit	Std
3		1	• Piston	Std
4	3581912	1	• Piston pin	
5	982437	2	• Snap ring	
6	21359313	6	Connecting rod	
7	3581905	2	• Screw	
8		1	Crankshaft	
9	3818268	1	• Spare parts kit	
10	3583264	1	• Gear	
11	3582741	1	• Washer	
12	465825	1	• Flange screw	
13	3586960	1	Sealing ring kit	
14		1	• Sealing ring	
15	1161687	1	• Grease	
16	950566	1	Pin	
17	3849962	1	Vibration damper	
18	3582687	1	Pulley	
19	3582748	1	Sealing ring	
20	3586871	6	Main bearing kit	Std
	3586873	6	Main bearing kit	O.S=0,25mm
	3586875	6	Main bearing kit	O.S=0.50mm
	3586876	6	Main bearing kit	O.S=0,75mm
21	3885323	6	Bearing shell kit	Std
	3885324	6	Bearing shell kit	O.S=0,25mm
	3885325	6	Bearing shell kit	O.S=0.50mm
	3885326	6	Bearing shell kit	O.S=0,75mm
22	3586877	1	Thrust bearing	Std
	3586879	1	Thrust bearing	O.S=0,25mm
	3586880	1	Thrust bearing	O.S=0.50mm
	3586881	1	Thrust bearing	O.S=0,75mm
23	3583564	1	Flywheel	
24	829462	1	• Ring gear	
25		1	• Flywheel	
26	465825	8	Flange screw	
27	465825	6	Flange screw	

47704600-21-37208

23147

Upd:2014-07-17