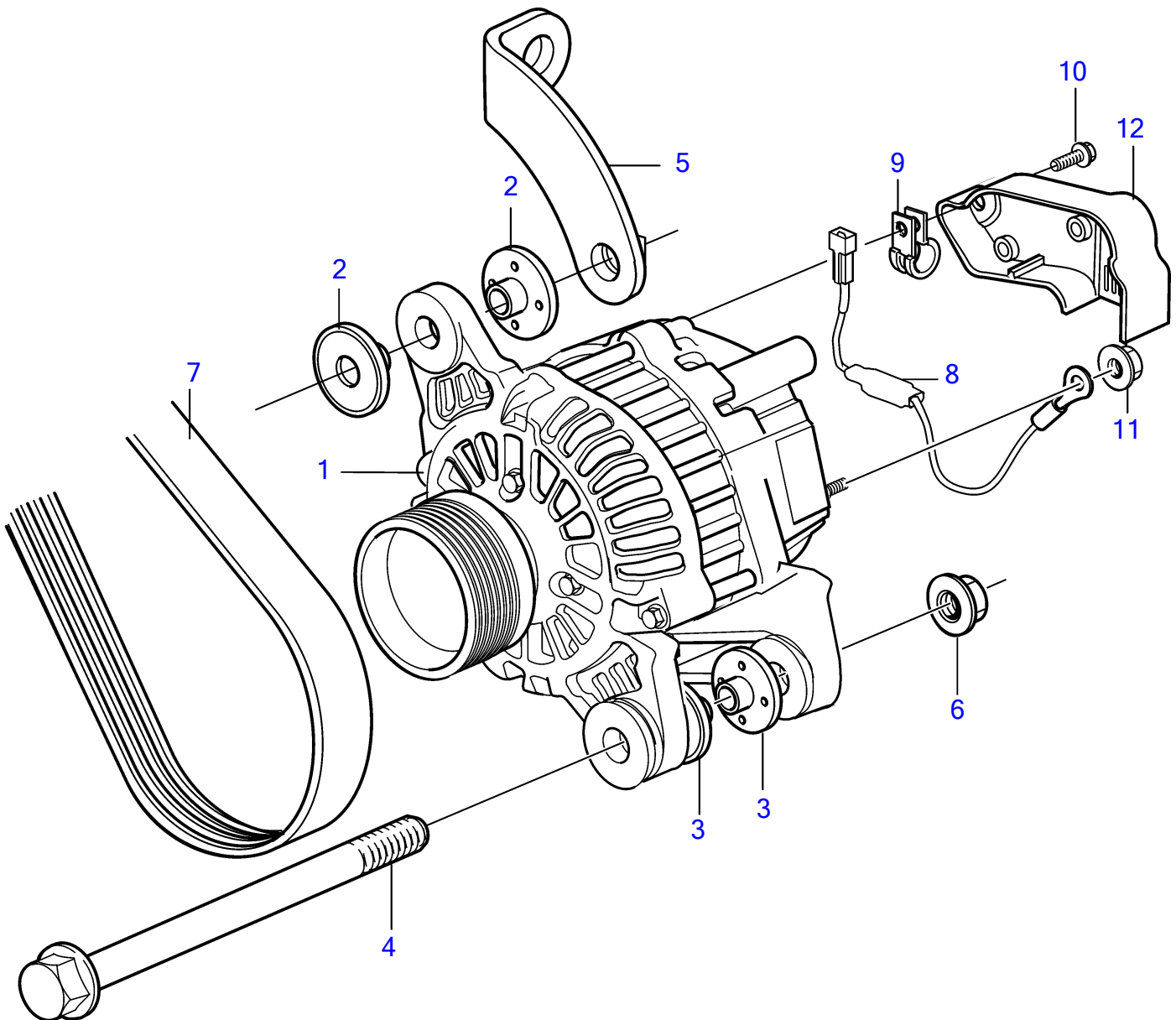


D6-300A-F, D6-300D-F (MC), D6-300I-F, D6-330A-F, D6-330D-F, D6-330I-F, D6-370A-F, D6-370D-F, D6-370I-F, D6-400A-F, D6-435D-F, D6-435I-SC-F, D6-435I-WJ-F



26422

D6-300A-F, D6-300D-F (MC), D6-300I-F, D6-330A-F, D6-330D-F, D6-330I-F, D6-370A-F, D6-370D-F, D6-370I-F, D6-400A-F, D6-435D-F, D6-435I-SC-F, D6-435I-WJ-F

REF	PART NO.	QTY	DESCRIPTION	NOTES
1	3840181	1	Alternator	14V, 115A
	3803911	1	Alternator, exch, exch	14V, 115A
	3840183	1	Alternator	28V, 80A
	3803912	1	Alternator, exch, exch	28V, 80A
2	21328137	2	Insulating bushing	D=8mm
3	21308514	2	Insulating bushing	D=12mm
4	978447	1	Flange screw	
5	3809682	1	Bracket	
6	971096	1	Flange nut	
7	21407028	1	V-ribbed belt	Standard
	991588	1	V-ribbed belt	SOLAS
8	881679	1	Resistor	12V
	21967118	1	Resistor	24V
9	952627	1	Clamp	
10	948663	1	Flange screw	
11	983712	1	Hexagon nut	
12	21217571	1	Housing	