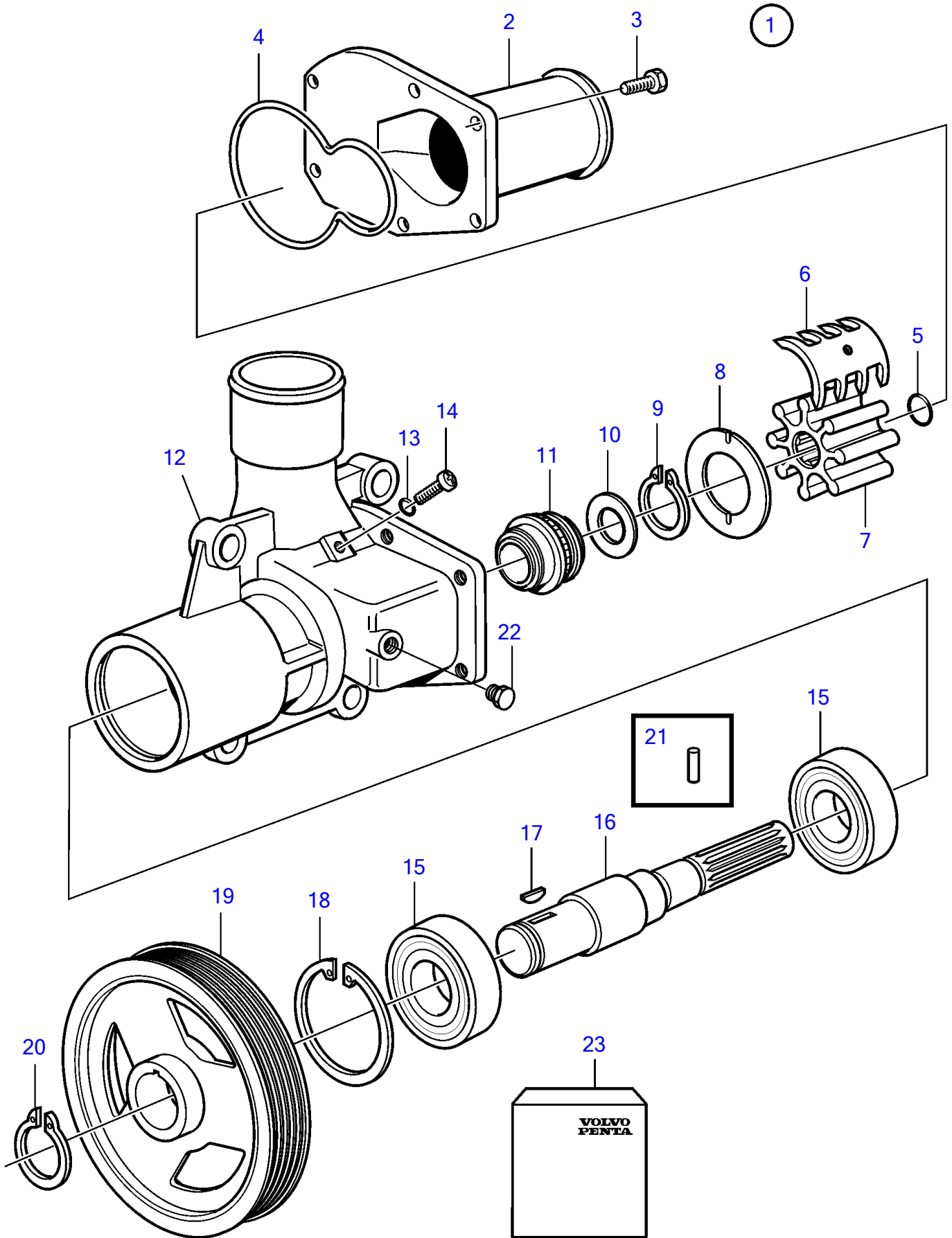


D6-300I-F



## D6-300I-F

| REF | PART NO. | QTY | DESCRIPTION      | SEE SEC. | NOTES                 |
|-----|----------|-----|------------------|----------|-----------------------|
| 1   | 21380890 | 1   | Sea water pump   |          | (3589907)             |
| 2   | 3583600  | 1   | • Cover          |          |                       |
| 3   | 3583604  | 6   | • Hexagon screw  |          | Included in kit.      |
| 4   | 3583611  | 1   | • O-ring         |          |                       |
| 5   | 804781   | 1   | • Sealing washer |          | Included in kit.      |
| 6   | 3589908  | 1   | • Cam            |          |                       |
| 7   | 3593573  | 1   | • Impeller kit   | 7044     |                       |
| 8   | 807589   | 1   | • Wear washer    |          |                       |
| 9   | (809444) | 1   | • Lock ring      |          | Obsolete part         |
| 10  | 888388   | 1   | • Washer         |          |                       |
| 11  | 3583609  | 1   | • Sealing        |          |                       |
| 12  | 21409059 | 1   | • Pump housing   |          |                       |
| 13  | 3583614  | 1   | • O-ring         |          |                       |
| 14  | 3583605  | 1   | • Hexagon screw  |          |                       |
| 15  | 181648   | 2   | • Ball bearing   |          | (3583610), (20450749) |
| 16  | 21419000 | 1   | • Kit            | 7044     |                       |
| 17  | 888386   | 1   | • Key            |          |                       |
| 18  | 825735   | 1   | • Lock ring      |          |                       |
| 19  | 3583599  | 1   | • Pulley         |          |                       |
| 20  | 804709   | 1   | • Lock ring      |          |                       |
| 21  | 888387   | 1   | • Pin            |          |                       |
| 22  | 981749   | 1   | • Plug           |          |                       |
| 23  | 3593573  | 1   | Impeller kit     | 7044     |                       |