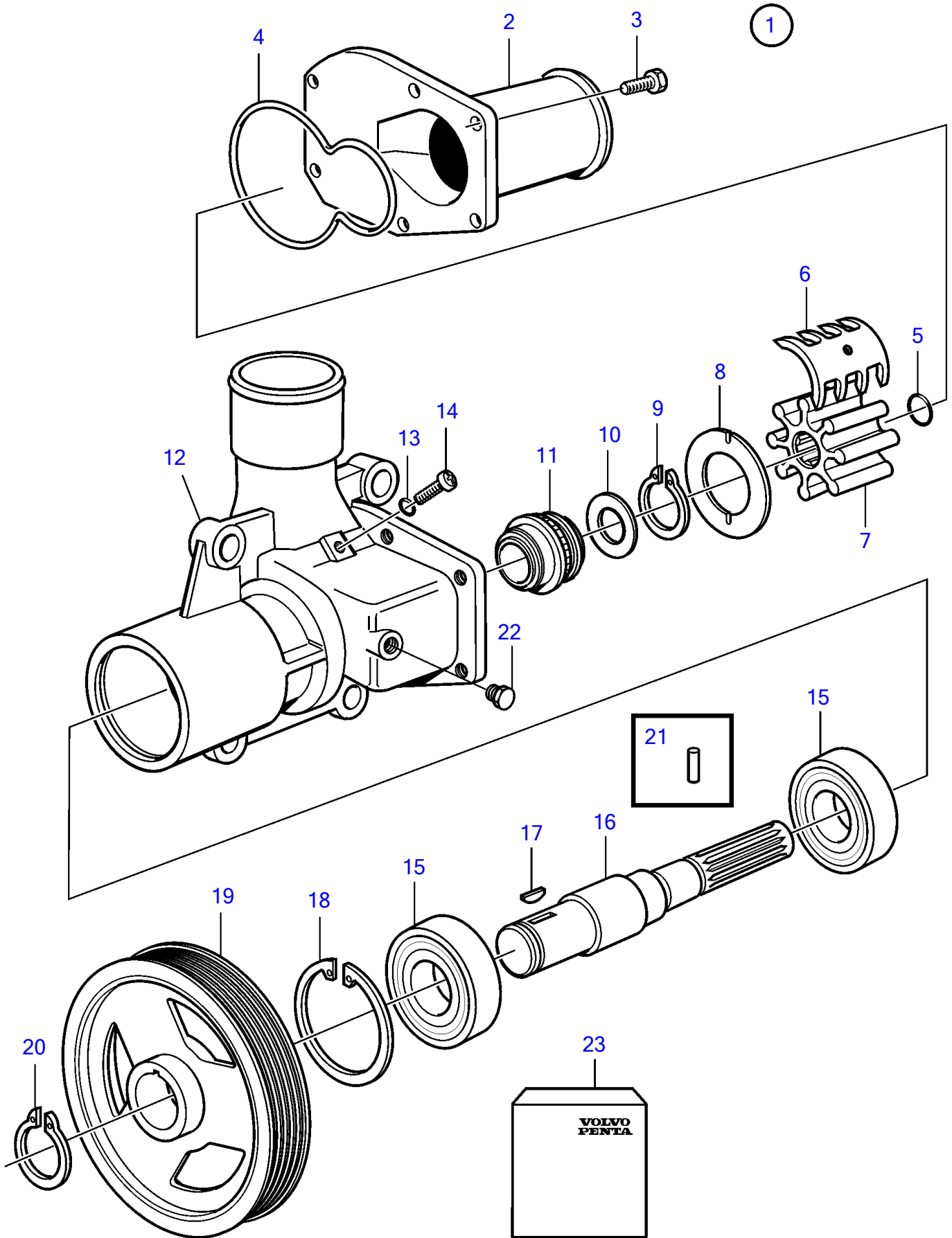


D6-300I-F



D6-300I-F

| REF | PART NO. | QTY | DESCRIPTION | SEE SEC. | NOTES |
|-----|----------|-----|------------------|----------|-----------------------|
| 1 | 21380890 | 1 | Sea water pump | | (3589907) |
| 2 | 3583600 | 1 | ▪ Cover | | |
| 3 | 3583604 | 6 | ▪ Hexagon screw | | Included in kit. |
| 4 | 3583611 | 1 | ▪ O-ring | | |
| 5 | 804781 | 1 | ▪ Sealing washer | | Included in kit. |
| 6 | 3589908 | 1 | ▪ Cam | | |
| 7 | 3593573 | 1 | ▪ Impeller kit | 7044 | |
| 8 | 807589 | 1 | ▪ Wear washer | | |
| 9 | (809444) | 1 | ▪ Lock ring | | Obsolete part |
| 10 | 888388 | 1 | ▪ Washer | | |
| 11 | 3583609 | 1 | ▪ Sealing | | |
| 12 | 21409059 | 1 | ▪ Pump housing | | |
| 13 | 3583614 | 1 | ▪ O-ring | | |
| 14 | 3583605 | 1 | ▪ Hexagon screw | | |
| 15 | 181648 | 2 | ▪ Ball bearing | | (3583610), (20450749) |
| 16 | 21419000 | 1 | ▪ Kit | 7044 | |
| 17 | 888386 | 1 | ▪ Key | | |
| 18 | 825735 | 1 | ▪ Lock ring | | |
| 19 | 3583599 | 1 | ▪ Pulley | | |
| 20 | 804709 | 1 | ▪ Lock ring | | |
| 21 | 888387 | 1 | ▪ Pin | | |
| 22 | 981749 | 1 | ▪ Plug | | |
| 23 | 3593573 | 1 | Impeller kit | 7044 | |