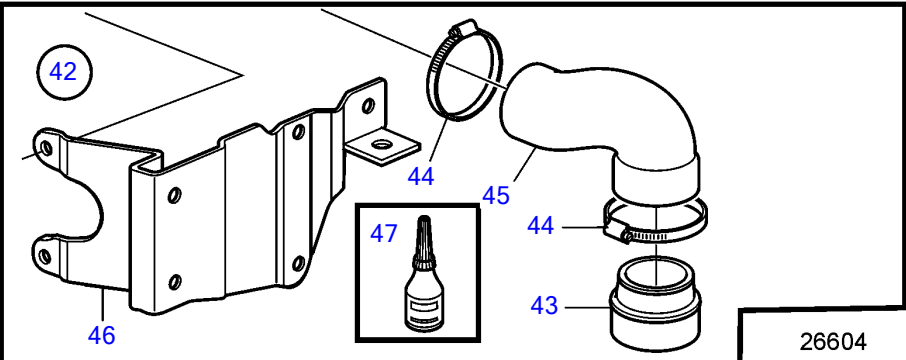
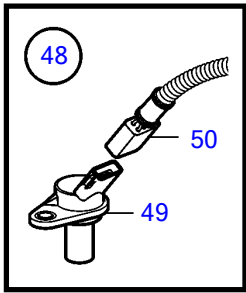
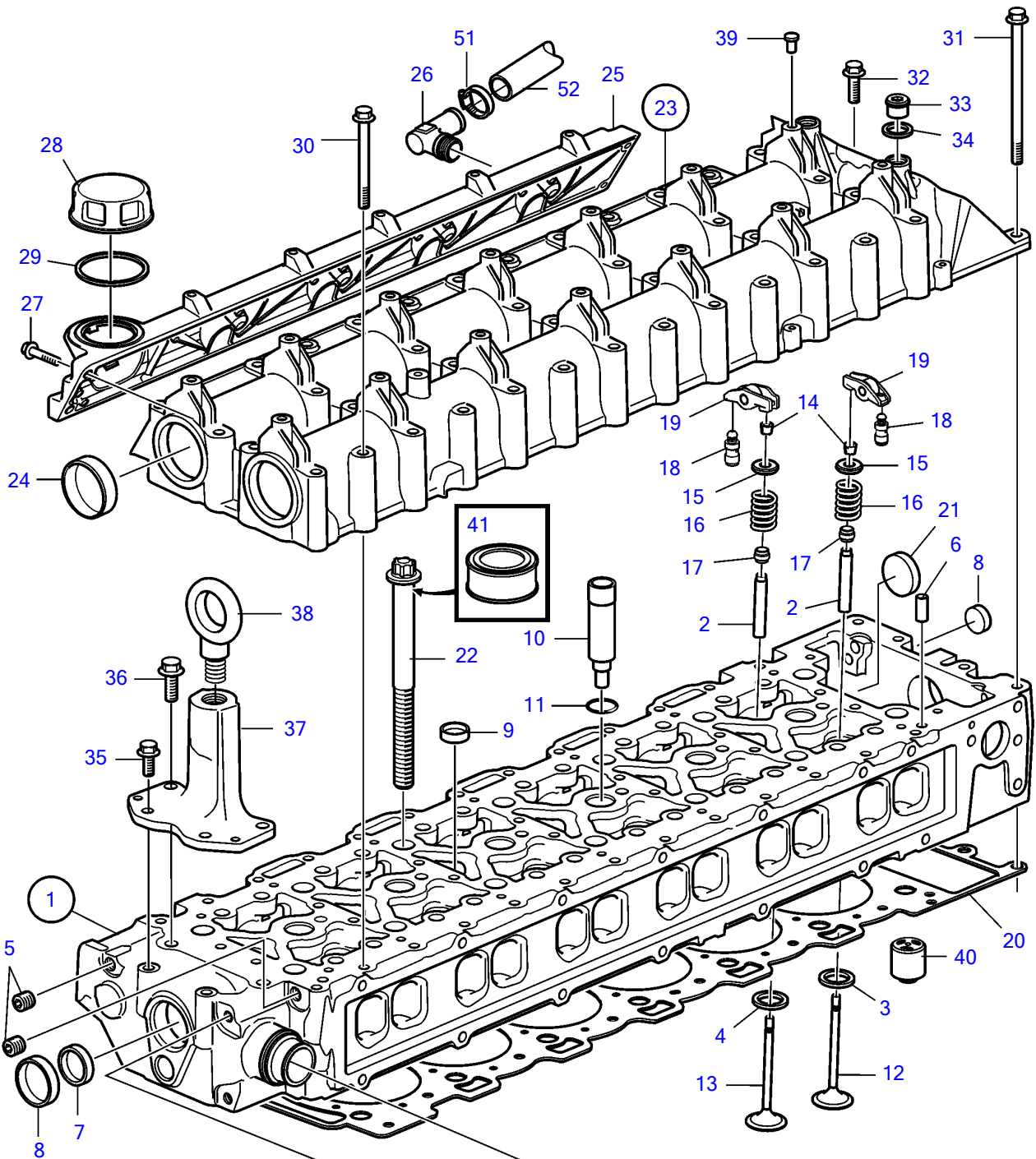


D6-280A-A, D6-280A-B, D6-280A-C, D6-280A-D, D6-280A-E, D6-280I-A, D6-280I-B, D6-280I-C, D6-280I-D, D6-280I-E, D6-310I-A, D6-310A-A, D6-310A-B, D6-310A-C, D6-310A-D, D6-310D-B, D6-310D-C, D6-310D-D, D6-310I-B, D6-310I-C, D6-310I-D, D6-330A-B, D6-330A-C, D6-330A-D, D6-330D-B, D6-330D-C, D6-330D-D, D6-330I-B, D6-330I-C, D6-330I-D, D6-350A-A, D6-350A-B, D6-370A-B, D6-370A-C, D6-370A-D, D6-370D-B, D6-370D-C, D6-370D-D, D6-370I-A, D6-370I-B, D6-370I-C, D6-370I-D, D6-310A-E, D6-310D-E, D6-310I-E, D6-330A-E, D6-330D-E, D6-330I-E, D6-370A-E, D6-370D-E, D6-370I-E



26604

D6-280A-A, D6-280A-B, D6-280A-C, D6-280A-D, D6-280A-E, D6-280I-A, D6-280I-B, D6-280I-C, D6-280I-D, D6-280I-E, D6-310I-A, D6-310A-A, D6-310A-B, D6-310A-C, D6-310A-D, D6-310D-B, D6-310D-C, D6-310D-D, D6-310I-B, D6-310I-C, D6-310I-D, D6-330A-B, D6-330A-C, D6-330A-D, D6-330D-B, D6-330D-C, D6-330D-D, D6-330I-B, D6-330I-C, D6-330I-D, D6-350A-A, D6-350A-B, D6-370A-B, D6-370A-C, D6-370A-D, D6-370D-B, D6-370D-C, D6-370D-D, D6-370I-A, D6-370I-B, D6-370I-C, D6-370I-D, D6-310A-E, D6-310D-E, D6-310I-E, D6-330A-E, D6-330D-E, D6-330I-E, D6-370A-E, D6-370D-E, D6-370I-E

REF	PART NO.	QTY	DESCRIPTION	SEE SEC.	NOTES
1	3801256	1	Cylinder head		(3803888)
2	3580892	24	• Valve guide		
3	3581861	12	• Valve seat, intake		
4	3581862	12	• Valve seat, exhaust		
5	990828	4	• Plug		
6	950564	2	• Pin		
7	24426721	2	• Expansion plug		
8	8131707	2	• Cap plug		
9	3583579	11	• Expansion plug		
10	889970	6	• Sleeve		
11	3583753	6	• O-ring		
12	3884010	12	• Inlet valve		
13	3884015	12	• Exhaust valve		
14	861703	48	• Valve cotter		
15	3889240	24	• Valve spring washer		
16	3581889	24	• Valve spring		
17	877072	24	Valve stem seal		
18	3581894	24	Rocker arm		
19	3581893	24	Cam		
20	3581869	1	Cylinder head gasket		
21	3588502	2	Expansion plug		
22	3581866	14	Six point screw		SN-2006022154
	21384459	14	Six point screw		SN2006022155-
23	3842801	1	Valve cover		SN-2006022154, Replaced by 1pc valve cover 40005656 and 1pc camshaft kit 21138559.
	40005656	1	Valve cover		SN2006022155-
24	8130035	2	• Expansion plug		
25		1	• Cover		
26	3583959	1	• • Elbow nipple		
27	948356	7	• Flange screw		
28	1275403	1	Oil filler cap		
29	1275379	1	Gasket		
30	965182	40	Flange screw		
31	968999	3	Flange screw		
32	945444	1	Flange screw		
33	966143	2	Plug		
34	947622	2	Gasket		
35	946329	2	Flange screw		
36	946173	2	Flange screw		
37	3888143	1	Lifting bracket		
38	984458	1	Lifting eye		
39	3584061	14	Washer		
40	3582933	2	Valve		
41	3588347	X	Lubricant		25G
42	21181057	1	Connector kit		For new cylinder head in combination with heat exchanger without pipe connection.
43	3808092	1	• Pipe connection		
44	943479	2	• Hose clamp		
45	3593996	1	• Hose		
46	21368510	1	• Bracket		
47	1161370	1	• Adhesive		50ml
48	21138559	1	Sensor kit		For flywheel housing with SN2006022155- mounted on engine with SN-2006022154
49	20513343	1	• Sensor		
50	21138239	1	• Wiring harness		
51	994559	1	Hose clamp	6709	
52	190993	1	Hose		L=265mm