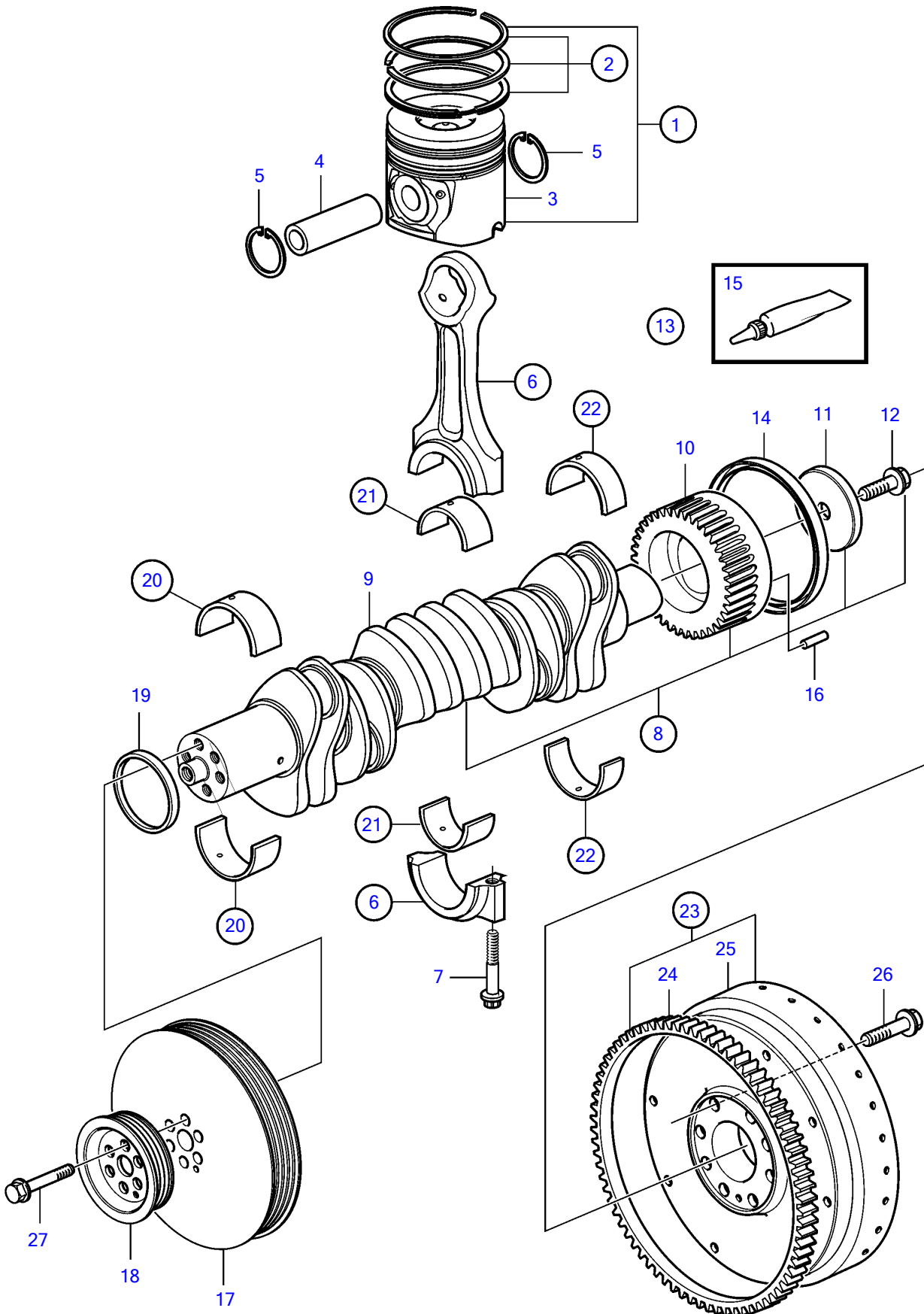


D6-280A-A, D6-280A-B, D6-280A-C, D6-280A-D, D6-280A-E, D6-280I-A, D6-280I-B, D6-280I-C, D6-280I-D, D6-280I-E, D6-310I-A, D6-310A-A, D6-310A-B, D6-310A-C, D6-310A-D, D6-310D-B, D6-310D-C, D6-310D-D, D6-310I-B, D6-310I-C, D6-310I-D, D6-330A-B, D6-330A-C, D6-330A-D, D6-330D-B, D6-330D-C, D6-330D-D, D6-330I-B, D6-330I-C, D6-330I-D, D6-350A-A, D6-350A-B, D6-370A-B, D6-370A-C, D6-370A-D, D6-370D-B, D6-370D-C, D6-370D-D, D6-370I-A, D6-370I-B, D6-370I-C, D6-370I-D, D6-310A-E, D6-310D-E, D6-310I-E, D6-330A-E, D6-330D-E, D6-330I-E, D6-370A-E, D6-370D-E



D6-280A-A, D6-280A-B, D6-280A-C, D6-280A-D, D6-280A-E, D6-280I-A, D6-280I-B, D6-280I-C, D6-280I-D, D6-280I-E, D6-310I-A, D6-310A-A, D6-310A-B, D6-310A-C, D6-310A-D, D6-310D-B, D6-310D-C, D6-310D-D, D6-310I-B, D6-310I-C, D6-310I-D, D6-330A-B, D6-330A-C, D6-330A-D, D6-330D-B, D6-330D-C, D6-330D-D, D6-330I-B, D6-330I-C, D6-330I-D, D6-350A-A, D6-350A-B, D6-370A-B, D6-370A-C, D6-370A-D, D6-370D-B, D6-370D-C, D6-370D-D, D6-370I-A, D6-370I-B, D6-370I-C, D6-370I-D, D6-310A-E, D6-310D-E, D6-310I-E, D6-330A-E, D6-330D-E, D6-330I-E, D6-370A-E, D6-370D-E, D6-370I-E

REF	PART NO.	QTY	DESCRIPTION	NOTES
1	3842771	6	Piston kit	replaced by next part number
	21728415	6	Piston kit	replaced by next part number
	21921545	6	Piston kit	
2	3586857	1	• Piston ring kit	TH=3,00mm, Replaced by 21728415
	21711728	1	• Piston ring kit	TH=3,50mm
3		1	• Piston	
4	3581912	1	• Piston pin	
5	982437	2	• Snap ring	
6	3842698	6	Connecting rod	
7	3581905	2	• Screw	
8		1	Crankshaft	
9	3818268	1	• Spare parts kit	(3581901)
10	3583264	1	• Gear	
11	3582741	1	• Washer	
12	465825	1	• Flange screw	
13	3586960	1	Sealing ring kit	
14		1	• Sealing ring	
15	1161687	1	• Grease	(1161447)
16	950566	1	Pin	
17	3841075	1	Vibration damper	(3582686)
18	3582687	1	Pulley	
19	3582748	1	Sealing ring	
20	3586871	6	Main bearing kit	Std
	3586873	6	Main bearing kit	O.S=0,25mm
	3586875	6	Main bearing kit	O.S=0.50mm
	3586876	6	Main bearing kit	O.S=0,75mm
21	3885323	6	Bearing shell kit	Std, (3586883)
	3586886	6	Bearing shell kit	O.S=0,25mm
	3586888	6	Bearing shell kit	O.S=0.50mm
	3586889	6	Bearing shell kit	O.S=0,75mm
22	3586877	1	Thrust bearing	Std
	3586879	1	Thrust bearing	O.S=0,25mm
	3586880	1	Thrust bearing	O.S=0.50mm
	3586881	1	Thrust bearing	O.S=0,75mm
23	3583564	1	Flywheel	
24	829462	1	• Ring gear	
25		1	• Flywheel	
26	465825	8	Flange screw	
27	465825	6	Flange screw	