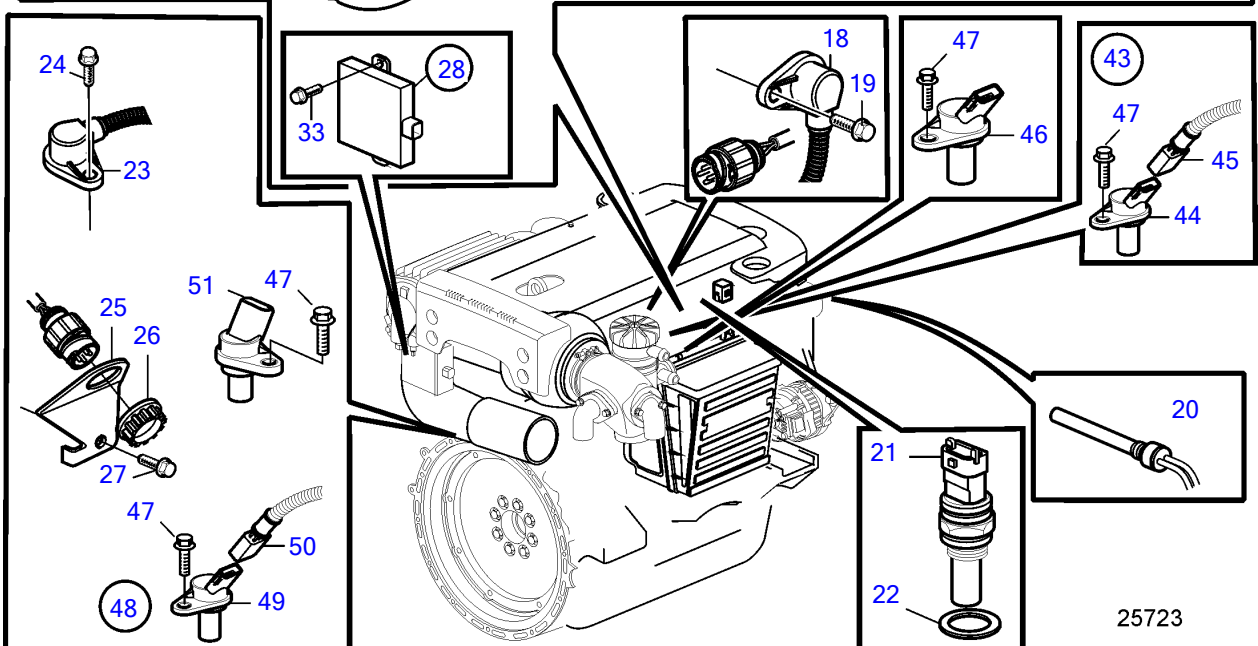
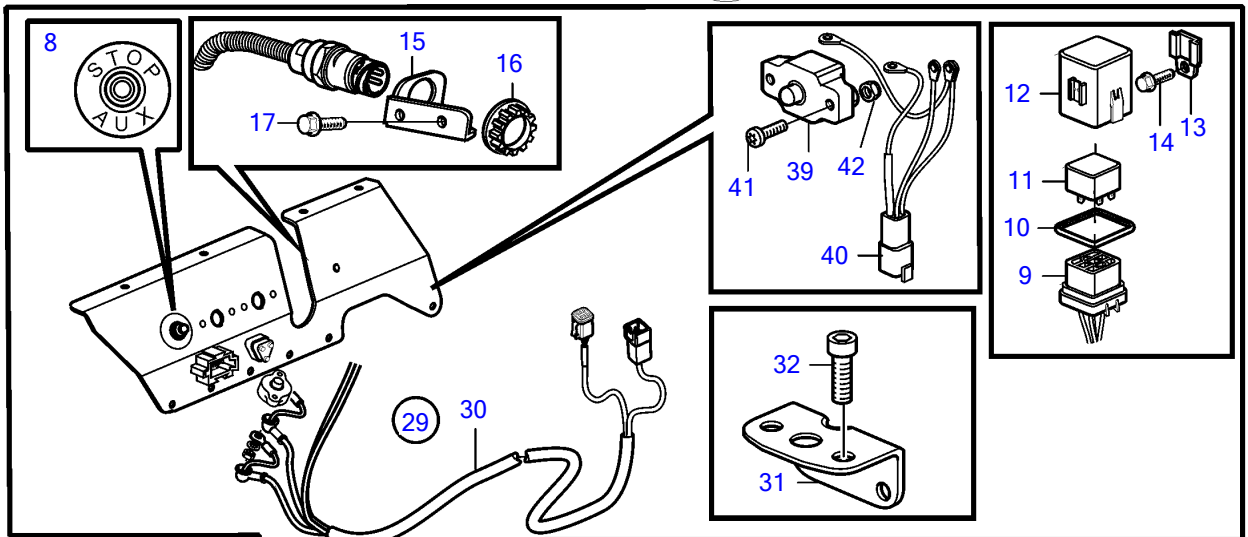
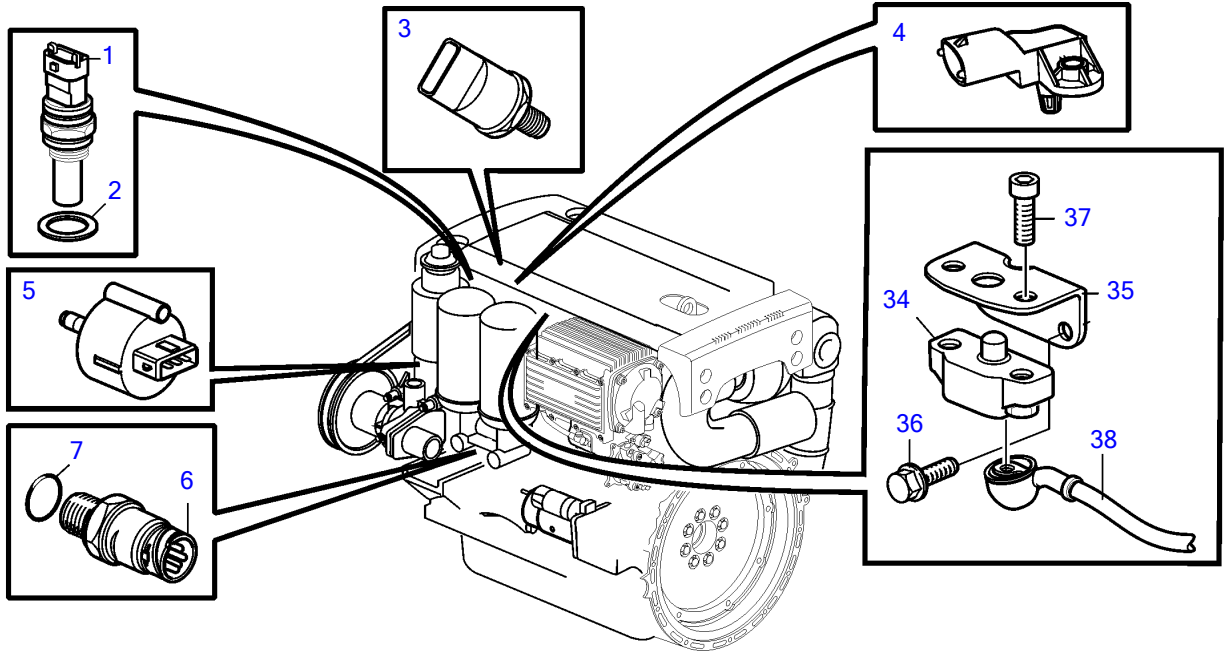


D6-280A-A, D6-280A-B, D6-280A-C, D6-280A-D, D6-280A-E, D6-310A-A, D6-310A-B, D6-310A-C, D6-310A-D, D6-310D-B, D6-310D-C, D6-310D-D, D6-330A-B, D6-330A-C, D6-330A-D, D6-330D-B, D6-330D-C, D6-330D-D, D6-350A-A, D6-350A-B, D6-370A-B, D6-370A-C, D6-370A-D, D6-370D-B, D6-370D-C, D6-370D-D, D6-310A-E, D6-310D-E, D6-330A-E, D6-330D-E, D6-370A-E, D6-370D-E, D6-400A-E, D6-435D-A, D6-435D-D, D6-435D-C, D6-435D-E



25723

D6-280A-A, D6-280A-B, D6-280A-C, D6-280A-D, D6-280A-E, D6-310A-A, D6-310A-B, D6-310A-C, D6-310A-D, D6-310D-B, D6-310D-C, D6-310D-D, D6-330A-B, D6-330A-C, D6-330A-D, D6-330D-B, D6-330D-C, D6-330D-D, D6-350A-A, D6-350A-B, D6-370A-B, D6-370A-C, D6-370A-D, D6-370D-B, D6-370D-C, D6-370D-D, D6-310A-E, D6-310D-E, D6-330A-E, D6-330D-E, D6-370A-E, D6-370D-E, D6-400A-E, D6-435D-A, D6-435D-D, D6-435D-C, D6-435D-E

REF	PART NO.	QTY	DESCRIPTION	NOTES
1	1624368	1	Sensor, fuel	
2	11996	1	Gasket	
3	3587927	1	Pressure sensor	Rail
4	21385453	1	Pressure sensor, charge pressure/temperature	
5	3808616	1	Sensor	Installation instruction included.
6	20886108	1	Pressure sensor, oil pressure difference	Replaced by 20898038
	20898038	1	Pressure sensor	Replaced by 21302639
	21302639	1	Pressure sensor	
7	968559	1	• O-ring	
8	828584	1	Toggle switch	
9	3587172	1	Relay socket	
10		1	Gasket	
11	873765	1	Relay	12V
	3171420	1	Relay	24V
12	3587173	1	Relay box	
13	3587174	1	Relay retainer	
14	948663	1	Flange screw	
15	3583480	1	Bracket	SN-2006022154
16	3963413	1	Ring	SN-2006022154
17	968476	2	Flange screw	SN-2006022154
18	3944124	1	Sensor, camshaft/flywheel	SN-2006022154
19	963684	1	Hex. socket screw	SN-2006022154
20	3547710	1	Level guard	
21	1624368	1	Sensor	
22	11996	1	Gasket	
23	3944124	1	Sensor, camshaft/flywheel	SN-2006022154
24	963684	1	Hex. socket screw	SN-2006022154
25	3584044	1	Bracket	SN-2006022154
26	3963413	1	Ring	SN-2006022154
27	946934	1	Flange screw	SN-2006022154
28	21515318	1	Voltage converter	
29	21506656	1	• Cable kit	For DC/DC unit 12V, When replacing the cable kit must also the DC/DC converter be exchanged.
30		1	• • Wiring harness	Including in wire kit 21506656
31	21497240	1	• • Support	
32	3853620	2	• • Hexagon screw	
33	946501	3	Flange screw	
34	856337	1	Automatic fuse	
35	3808612	1	Support	
36	967949	2	Flange screw	
37	3853620	2	Hexagon screw	
38	3885076	1	Cable	
39	874579	2	Automatic fuse	SOLAS
40	881862	1	Cable	SOLAS
41	969408	4	6 point socket screw	
42	963104	4	Lock nut	
43	21138559	1	Sensor kit, camshaft/flywheel	For valve cover with SN2006022155- mounted on engine with SN-2006022154
44	20513343	1	• Sensor	
45	21138239	1	• Wiring harness	
46	20513343	1	Sensor	SN2006022155-
47	946544	2	Flange screw	
48	21109100	1	Sensor kit, camshaft/flywheel	For flywheel housing with SN2006022155- mounted on engine with SN-2006022154
49	20513343	1	• Sensor	
50	21138237	1	• Wiring harness	
51	20513343	1	Sensor	SN2006022155-