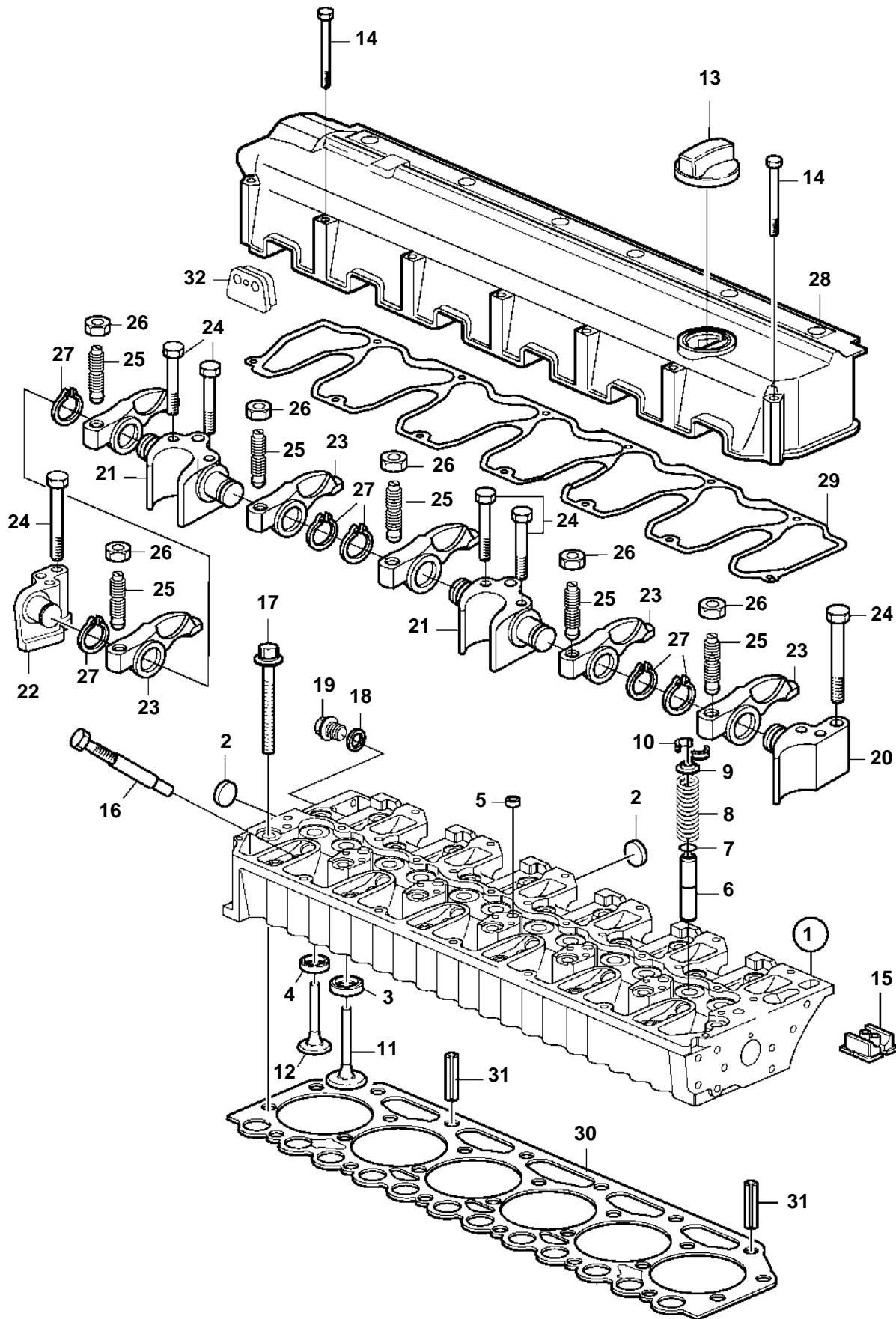


D7A-A T, D7A-A TA, D7C-A TA



D7A-A T, D7A-A TA, D7C-A TA

REF	PART NO.	QTY	DESCRIPTION	NOTES
1	20489008	1	Cylinder head	
	3803664	1	Cylinder head, exch	Exchange unit
2	20412745	5	· Plug	
3	20405891	6	· Valve seat, intake	
4	20459963	6	· Valve seat, exhaust	
5	20412733	5	· Plug	
6	20405897	12	· Valve guide	
7	976013	12	· O-ring	
8	11700347	12	· Valve spring	
9	11700346	12	· Washer	
10	11700345	24	· Valve collet	
11	20417380	6	· Inlet valve	
12	20405503	6	· Exhaust valve	
13	20412589	1	Filler cap	
14	20412601	13	Screw	
15	20412600	1	Cover	
16	20405895	6	Plug	
17	11700334	26	Screw	
18	947628	2	Gasket	
19	20464451	1	Plug	
20	11700367	1	Bearing bracket	
21	11700368	2	Bearing bracket	
22	11700369	1	Bearing bracket	
23	11700370	12	Rocker arm	
24	11700374	14	Screw	
25	20405524	12	Adjuster screw	
26	11700373	12	Nut	
27	945495	12	Snap ring	
28	20412599	1	Valve cover	
29	20412597	1	Gasket	
30	20405900	1	Gasket	TH=1,54mm
	20405901	1	Gasket	TH=1,64mm
	20405902	1	Gasket	TH=1,74mm
31	20405521	2	Locating pin	
32	888770	6	Sealing ring	