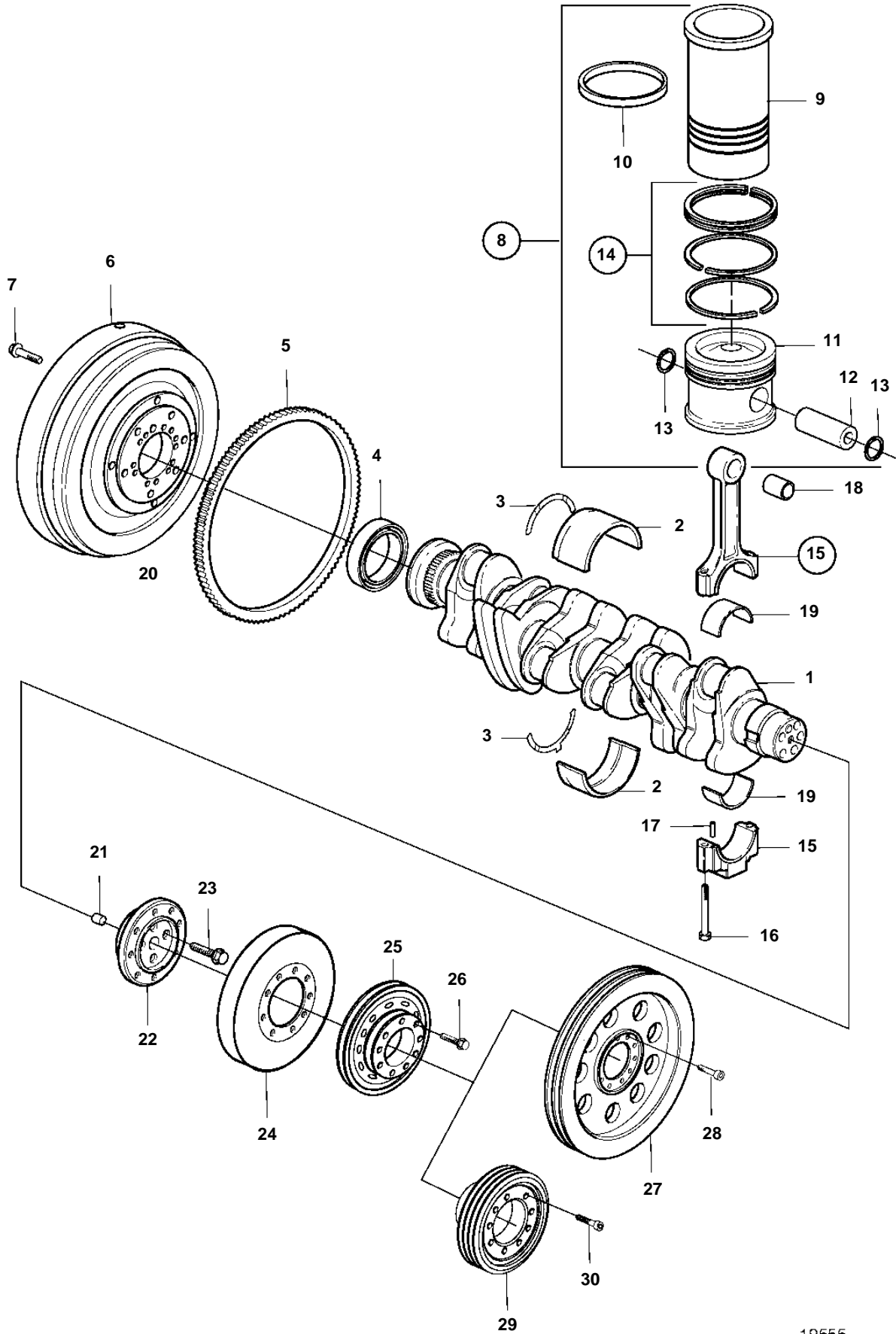


D7A-A T, D7A-A TA, D7C-A TA



D7A-A T, D7A-A TA, D7C-A TA

REF	PART NO.	QTY	DESCRIPTION	NOTES
1	20412323	1	Crankshaft	
2	20405516	7	Main bearing kit	STD, SEE GROUP 99
	20405529	7	Main bearing kit	U.S=0,25mm
	20405541	7	Main bearing kit	U.S=0,50mm
3	20405899	1	Thrust washer kit	STD, SEE GROUP 99
	11700315	1	Thrust washer kit	O.S=0,20mm (3.1mm)
4	20412286	1	Sealing ring, crankshaft seal	
5		1	Gear ring	SEE GROUP 21
6		1	Flywheel	SEE GROUP 21
7		10	Screw	SEE GROUP 21
8	877337	6	Cylinder liner kit	
9		6	· Cylinder liner	
10	20412762	12	· O-ring	
11		6	· Piston	
12	20405577	6	· · Piston pin	
13	20405576	12	· · Lock ring	
14	20405571	6	· · Piston ring kit	
15	11700324	6	Connecting rod	
16	11700326	12	· Screw	
17	20450823	6	· Pin	
18	11700325	6	· Bushing	
19	11700316	6	Big end bearing kit	STD
	11700317	6	Big end bearing kit	U.S=0,25mm
	11700318	6	Big end bearing kit	U.S=0,50mm
21	20405634	1	Locating pin	18X24
22	20450843	1	Flange	
23	20460037	4	Screw	
24	20412598	1	Vibration damper	D=340mm
25	888713	1	Gear pulley	Pully for circulation pump & fuel pump. Pully for generator low left 28V 55A / 14V 95A
26	888712	9	Screw	
27	3588090	1	Pulley	Pully for generator low left 28V 140A
28	3588092	9	Hexagon screw	L=70mm
29	3586607	1	Pulley	
30	3586606	9	Hexagon screw	L=100mm