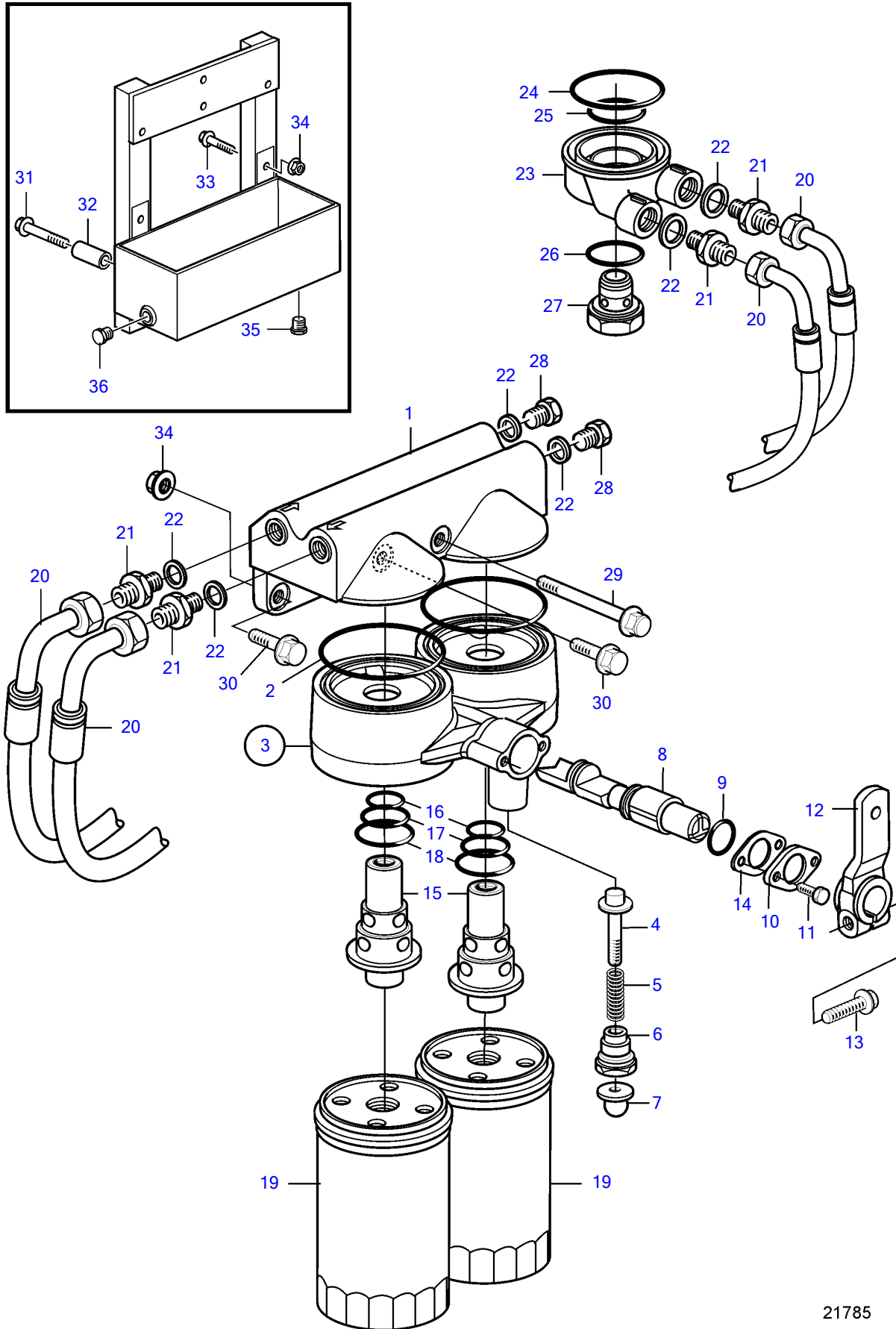


D5A-A T, D7A-A T, D5A-A TA, D7A-A TA, D5A-B TA, D5A-B TA, D5A-B TA, D7A-B TA, D7A-B TA, D7A-B TA



D5A-A T, D7A-A T, D5A-A TA, D7A-A TA, D5A-B TA, D5A-B TA, D5A-B TA, D7A-B TA, D7A-B TA, D7A-B TA

REF	PART NO.	QTY	DESCRIPTION	NOTES
1	11031901	1	Oil filter housing	
2	948981	2	O-ring	
3	3829976	1	Valve housing	Replaced by 3889232
	3889232	1	Valve housing	
4	3830181	1	• Dowel	
5	466653	1	• Compression spring	
6	3830176	1	• Sleeve	
7	(940344)	1	• Wing nut	Obsolete part
8	3826152	1	• Shift valve	
9	949657	1	• O-ring	
10	842912	1	• Flange	
11	946544	2	• Flange screw	
12	964408	1	• Intermediate lever	
13	946752	1	• Flange screw	
14	11998	1	Gasket	
15	3829975	2	Nipple	
16	20536487	2	O-ring	
17	948610	2	O-ring, middle	
18	969415	2	O-ring	
19	847741	2	Oil filter	
20	3830882	2	Oil hose	
21	982254	4	Nipple	
22	976932	6	Gasket	
23	21236025	1	Adapter	Replaced by 21271203
	21271203	1	Adapter	
24	20450992	1	O-ring	
25	20405578	1	O-ring	
26	20450993	1	O-ring	
27	20450991	1	Hollow screw	
28	960634	2	Plug	
29	968237	1	Flange screw	L=120mm
30	965185	3	Flange screw	L=30mm
31	965189	4	Flange screw	L=90mm
32	845342	8	Spacer sleeve	L=32mm
33	965221	2	Flange screw	L=55mm
34	971098	10	Flange lock nut	
35	479956	1	Plug	(192154)
36	960632	1	Plug	

7745950-22-6638

21785

Upd:2012-02-23

D5A-A T, D7A-A T, D5A-A TA, D7A-A TA, D5A-B TA, D7A-B TA