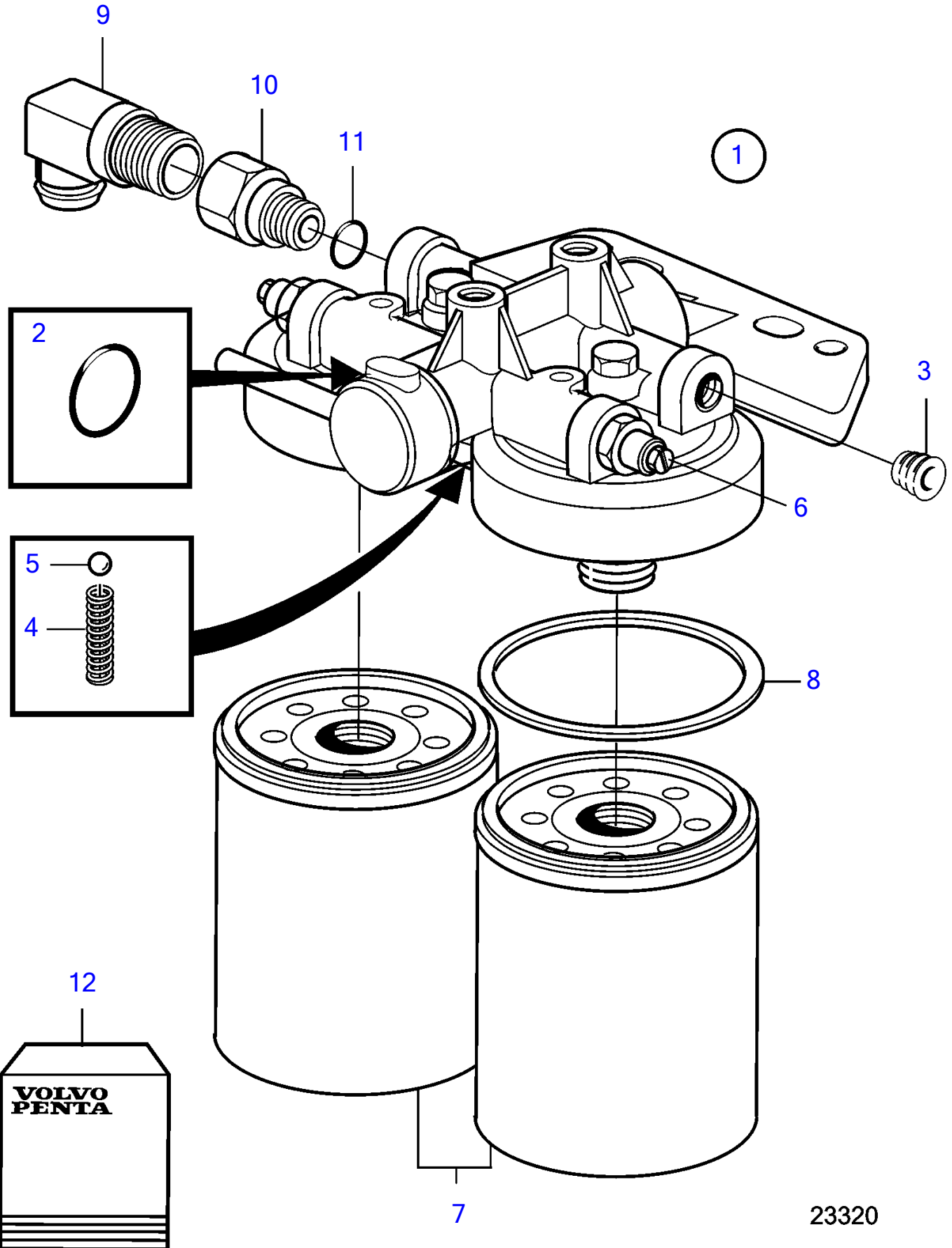


D5A-A T, D7A-A T, D5A-A TA, D7A-A TA, D5A-B TA, D5A-B TA, D5A-B TA, D7A-B TA, D7A-B TA, D7A-B TA



23320

D5A-A T, D7A-A T, D5A-A TA, D7A-A TA, D5A-B TA, D5A-B TA, D5A-B TA, D7A-B TA, D7A-B TA, D7A-B TA

| REF | PART NO. | QTY | DESCRIPTION          | NOTES         |
|-----|----------|-----|----------------------|---------------|
| 1   | 864399   | 1   | Fuel filter          |               |
| 2   |          | 2   | • O-ring             |               |
| 3   | 968062   | 2   | • Plug               |               |
| 4   |          | 1   | • Compression spring |               |
| 5   |          | 1   | • Ball               |               |
| 6   | 876194   | 2   | • Screw kit          |               |
| 7   | 864315   | 2   | Filter               |               |
| 8   |          | 2   | • Gasket             |               |
| 9   | 874506   | 1   | Sensor               |               |
| 10  | 3839247  | 1   | Nipple               |               |
| 11  | (943907) | 1   | Gasket               | Obsolete part |
| 12  | 876187   | 1   | Repair kit           |               |