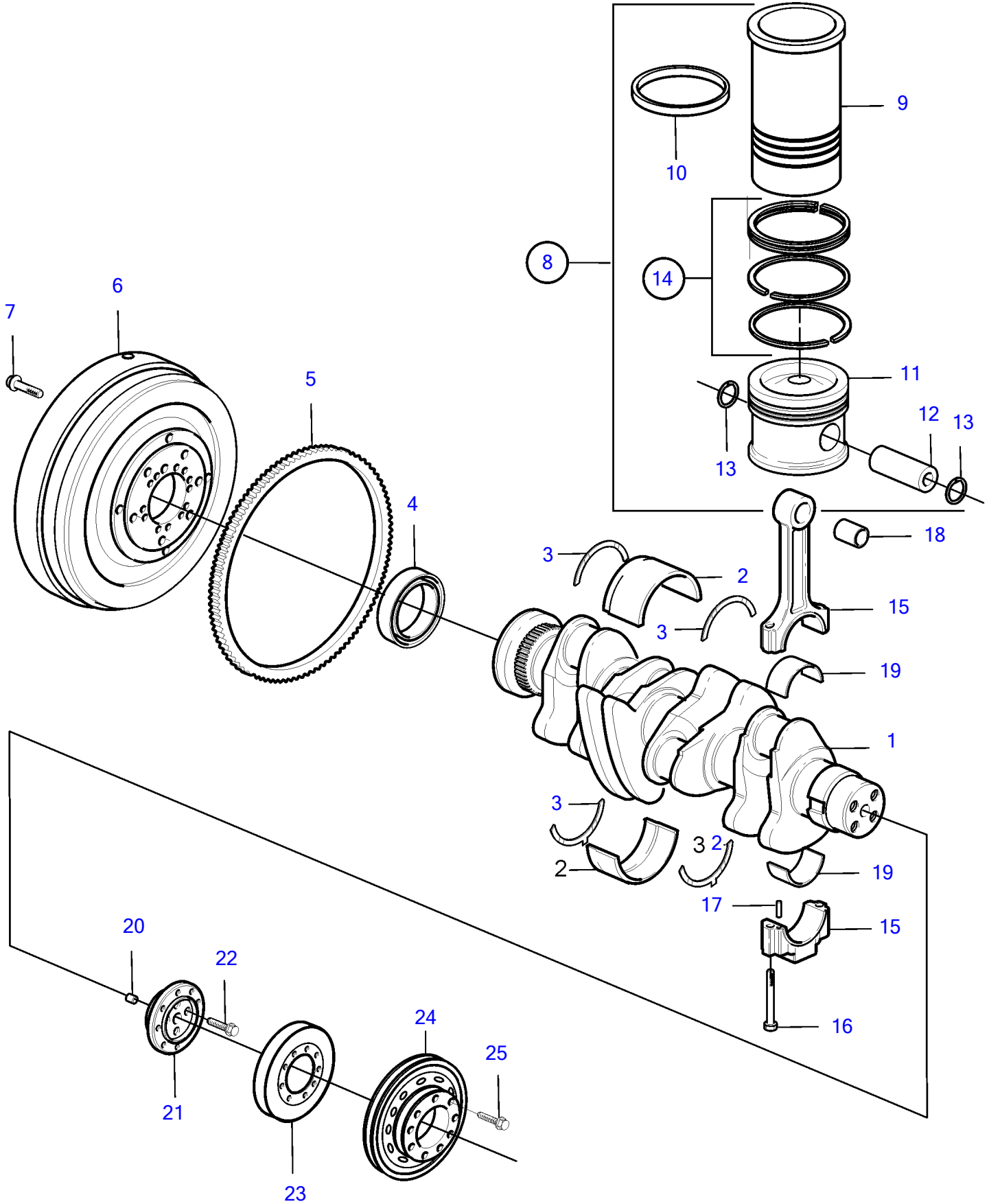


D5A-A T, D5A-A TA



D5A-A T, D5A-A TA

REF	PART NO.	QTY	DESCRIPTION	NOTES
1	20405540	1	Crankshaft	SN-01098272
	20900811	1	Crankshaft	SN01098273-
2	20405516	5	Main bearing	Std, SN-10594934
	21141948	5	Main bearing	Std, SN10594935-
	20405529	5	Main bearing	U.S=0,25mm, SN-10594934
	21234191	5	Main bearing	U.S=0,25mm, SN10594935-
	21141948		Main bearing	
	20405541	5	Main bearing	U.S=0.50mm
3	20405899	2	Thrust washer kit	Std
	11700315	2	Thrust washer kit	O.S=0.20mm (3.1mm)
4	20412286	1	Lip seal, crankshaft seal	
5		1	Gear ring	See group 21
6		1	Flywheel	See group 21
7		10	Screw	See group 21
8	877337	4	Cylinder liner kit	
9		6	• Cylinder liner	
10	20412762	8	• O-ring	
11		4	• Piston kit	
12	20405577	4	• • Piston pin	
13	20405576	8	• • Snap ring	
14	21304975	4	• • Piston ring	
15	20585982	4	Connecting rod	
16	11700326	8	• Flange screw	
17	20459134	4	• Grooved pin	
18	11700325	4	• Bushing	
19	20565150	4	Bearing	Std, Only for original part 11700324
	20717211	4	Bearing	U.S=0.25mm, Only for 11700324
	20565188	4	Bearing	U.S=0.50mm, Only for 11700324
	20766790	4	Bearing	Std, Only for 20585982
	20790423	4	Big-end bearing kit	U.S=0.25mm, Only for 20585982
	20790428	4	Big-end bearing kit	U.S=0.50mm, Only for 20585982
20	20405634	1	Spring pin	18X24
21	20450843	1	Flange	
22	20405724	4	Six point screw	
23	20460794	1	Vibration damper	D=248mm
24	888713	1	Gear pulley	Pully for circulation pump & fuel pump, Pully for generator low left 28V 55A
25	888712	9	Hexagon screw	