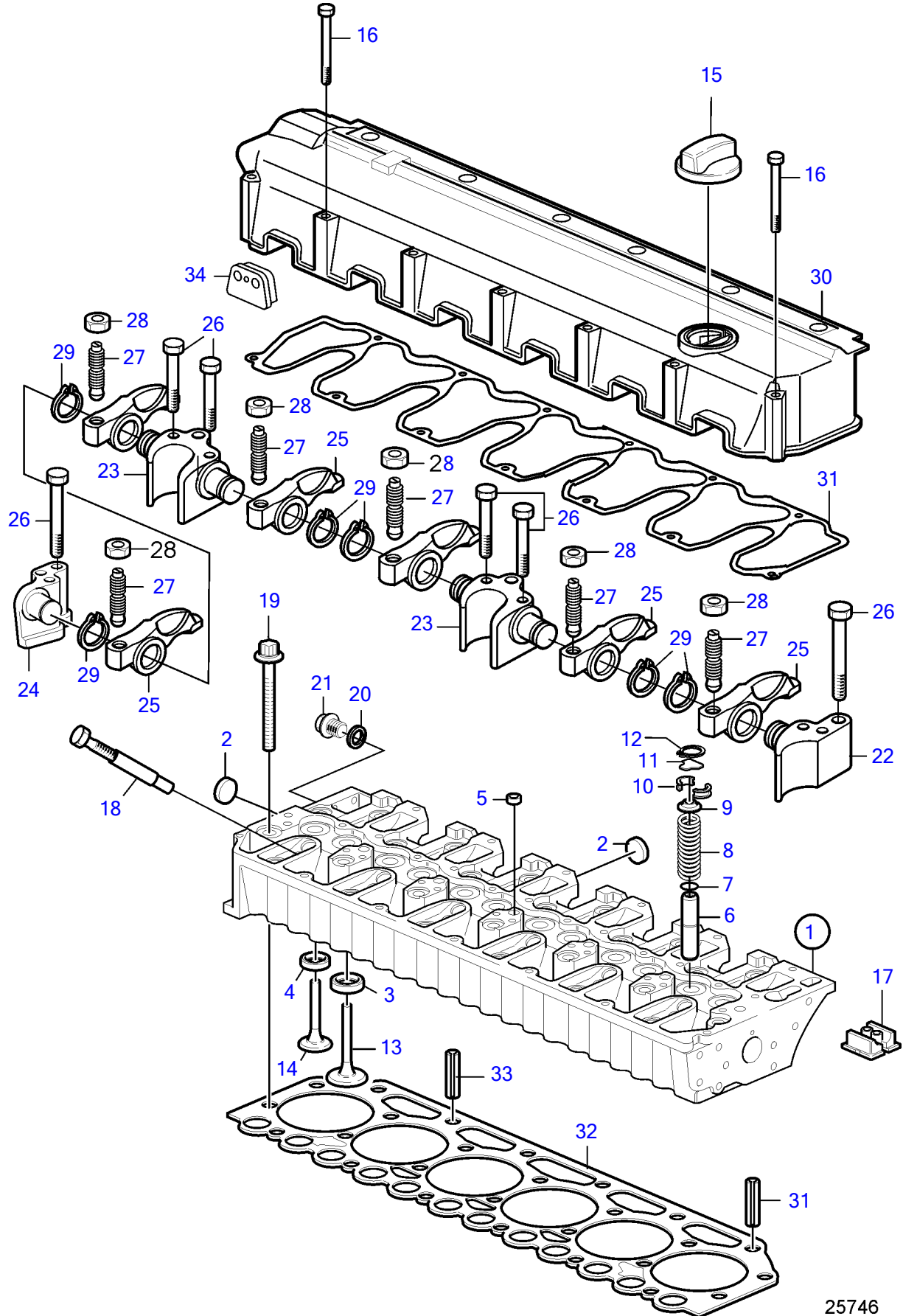


D7A-B TA



25746

D7A-B TA

| REF | PART NO. | QTY | DESCRIPTION | NOTES |
|-----|----------|-----|-----------------------|--|
| 1 | 3801397 | 1 | Cylinder head | |
| 2 | 20412745 | 5 | • Cap plug | |
| 3 | 20459962 | 6 | • Valve seat, intake | |
| 4 | 20459963 | 6 | • Valve seat, exhaust | |
| 5 | 20412733 | 5 | • Cap plug | |
| 6 | 20405897 | 12 | • Valve guide | |
| 7 | 976013 | 12 | • O-ring | |
| 8 | 11700347 | 12 | • Compression spring | |
| 9 | 20847155 | 12 | • Retainer | |
| 10 | 11700345 | 24 | • Collet | |
| 11 | 20840807 | 12 | • Thrust washer | |
| 12 | 20840772 | 12 | • Snap ring | |
| 13 | 20758481 | 6 | • Inlet valve | |
| 14 | 20755883 | 6 | • Exhaust valve | |
| 15 | 20412589 | 1 | Filler cap | |
| 16 | 20412601 | 13 | Flange screw | |
| 17 | 20412600 | 1 | Cover | |
| 18 | 20405895 | 6 | Plug | |
| 19 | 11700334 | 26 | Screw | |
| 20 | 947628 | 2 | Gasket | |
| 21 | 20464451 | 1 | Plug | |
| 22 | 11700367 | 1 | Bracket | |
| 23 | 11700368 | 2 | Bracket | |
| 24 | 11700369 | 1 | Bracket | |
| 25 | 11700370 | 12 | Rocker arm | |
| 26 | 11700374 | 14 | Screw | |
| 27 | 20405524 | 12 | Screw | |
| 28 | 11700373 | 12 | Hexagon nut | |
| 29 | 945495 | 12 | Snap ring | |
| 30 | 20412599 | 1 | Valve cover | Use only with gasket 20412597, SN-01098545 |
| | 20725338 | 1 | Valve cover | Use only with gasket 20725316, SN01098546- |
| 31 | 20412597 | 1 | Gasket | Only for 20412599, SN-01098545 |
| | 20725316 | 1 | Gasket | Only for 20725338, SN01098546- |
| 32 | 20405900 | 1 | Cylinder head gasket | TH=1,54mm, One dot |
| | 20405901 | 1 | Cylinder head gasket | TH=1,64mm, Two dots |
| | 20405902 | 1 | Cylinder head gasket | TH=1,74mm, Three dots |
| 33 | 20405521 | 2 | Spring pin | |
| 34 | 888770 | 6 | Sealing ring | |