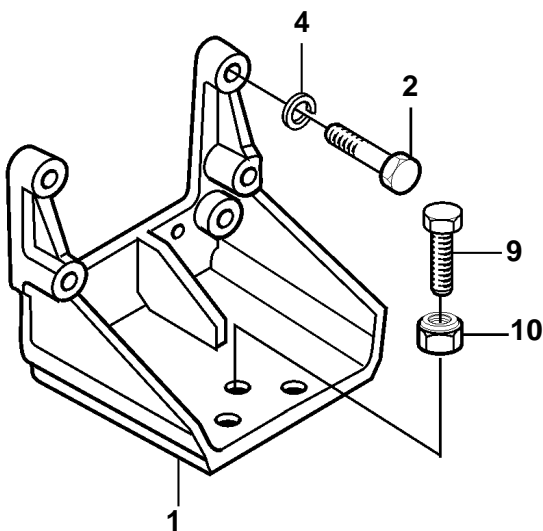
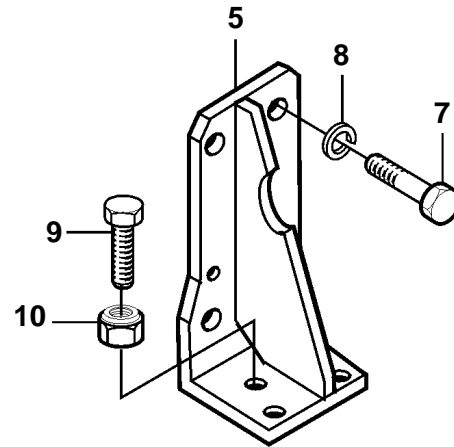
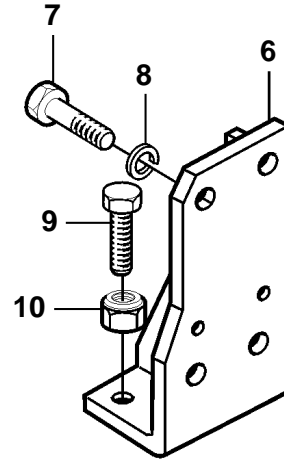
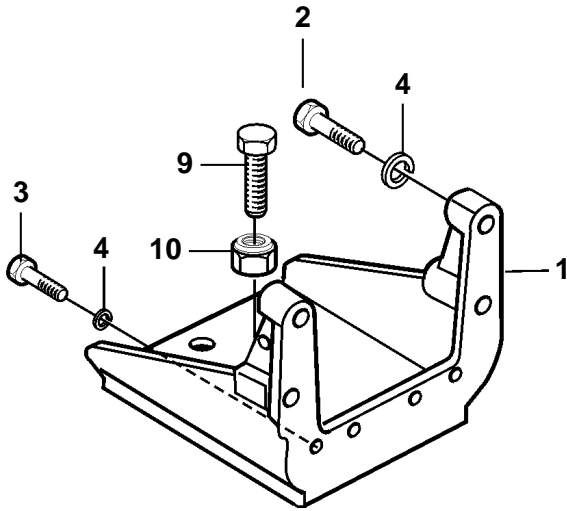


D49A-MT, D49A-MS



D49A-MT, D49A-MS

REF	PART NO.	QTY	DESCRIPTION
1	3833057	2	Bracket
2	3831570	7	Screw
3	3831565	1	Screw
4	3831802	8	Spring washer
5	3833052	1	Bracket, left
6	3833051	1	Bracket, right
7	3831564	8	Screw
8	3831802	8	Spring washer
9	3832262	4	Screw
10	3831746	4	Nut