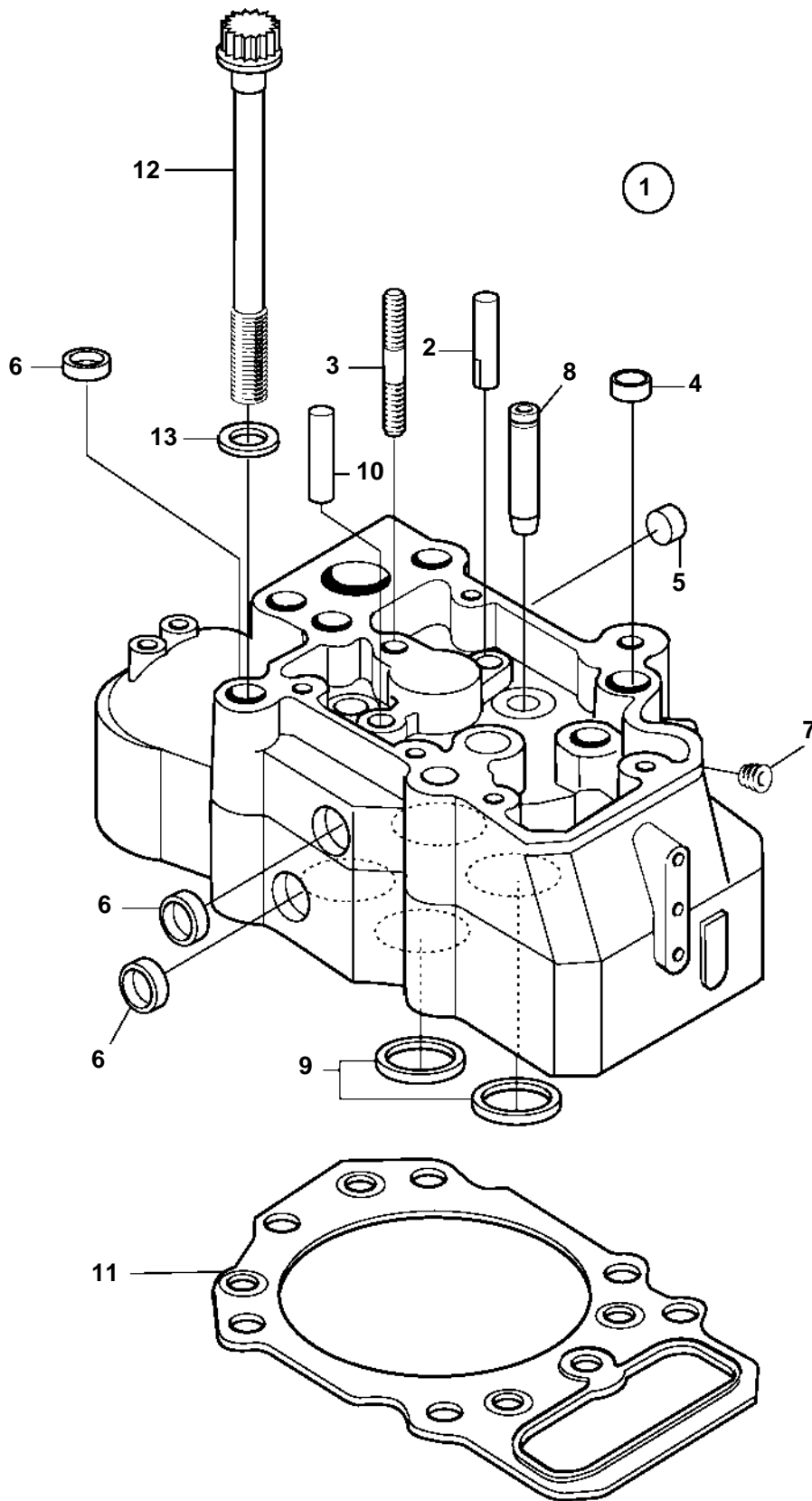


D49A-MT, D49A-MS



D49A-MT, D49A-MS

REF	PART NO.	QTY	DESCRIPTION	NOTES
1	3833621	1	Cylinder head	SN-11285
	3588034	1	Cylinder head	SN11286-
2	3831663	2	· Guide	
3	3834750	1	· Stud	
4	3833970	1	· Pin	
5	3831535	1	· Cap	
6	3831537	7	· Cap	
7	3831543	1	· Plug	
8	3833612	4	· Valve guide	
9	3834491	4	· Valve seat	STD (3835203)
	3808009	4	· Valve seat	OD=0,03mm
	3808033	4	· Valve seat	OD=0,06mm
10	3836548	6	· Pin	
11	3835065	2	Gasket	
12	3831705	6	Screw	
13	3831670	6	Washer	