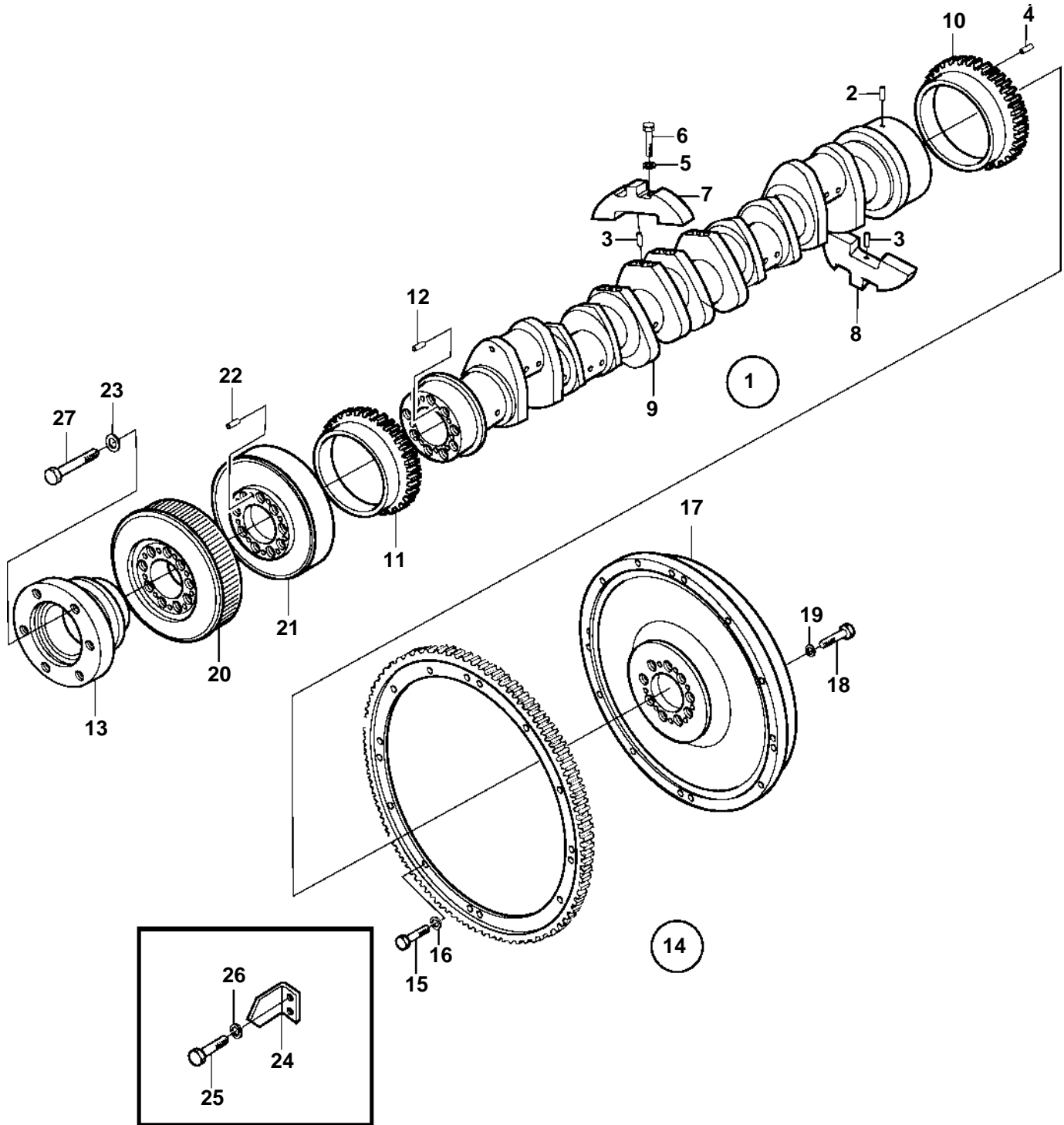


D49A-MT, D49A-MS



D49A-MT, D49A-MS

REF	PART NO.	QTY	DESCRIPTION	NOTES
1	3833416		Crankshaft	
2	3831811	1	Pin	
3	3831839	8	Pin	
4	3833967	2	Pin	
5	3831670	16	Washer	
6	3832252	16	Screw	
7		7	Weight	
8		1	Weight	
9		1	Crankshaft	
10	3833587	1	Crankshaft gear	
11	3833588	1	Crankshaft gear	
12	3831839	2	Pin	
13	3836737	1	Pulley	(3835470)
14	3833498	1	Flywheel	
15	3832049	12	· Screw	
16	3832233	13	· Spring washer	
17	3833602	1	· Drive gear	
18	3831571	12	Screw	
19	3831670	12	Washer	
20	3835469	1	Vibration damper, front	
21	3833421	1	Vibration damper, rear	
22	3831839	2	Pin	
23	3831670	8	Washer	
24	3834291	1	Setting indicator	
25	3835725	2	Screw	
26	3832245	2	Spring washer	
27	3831573	8	Screw	