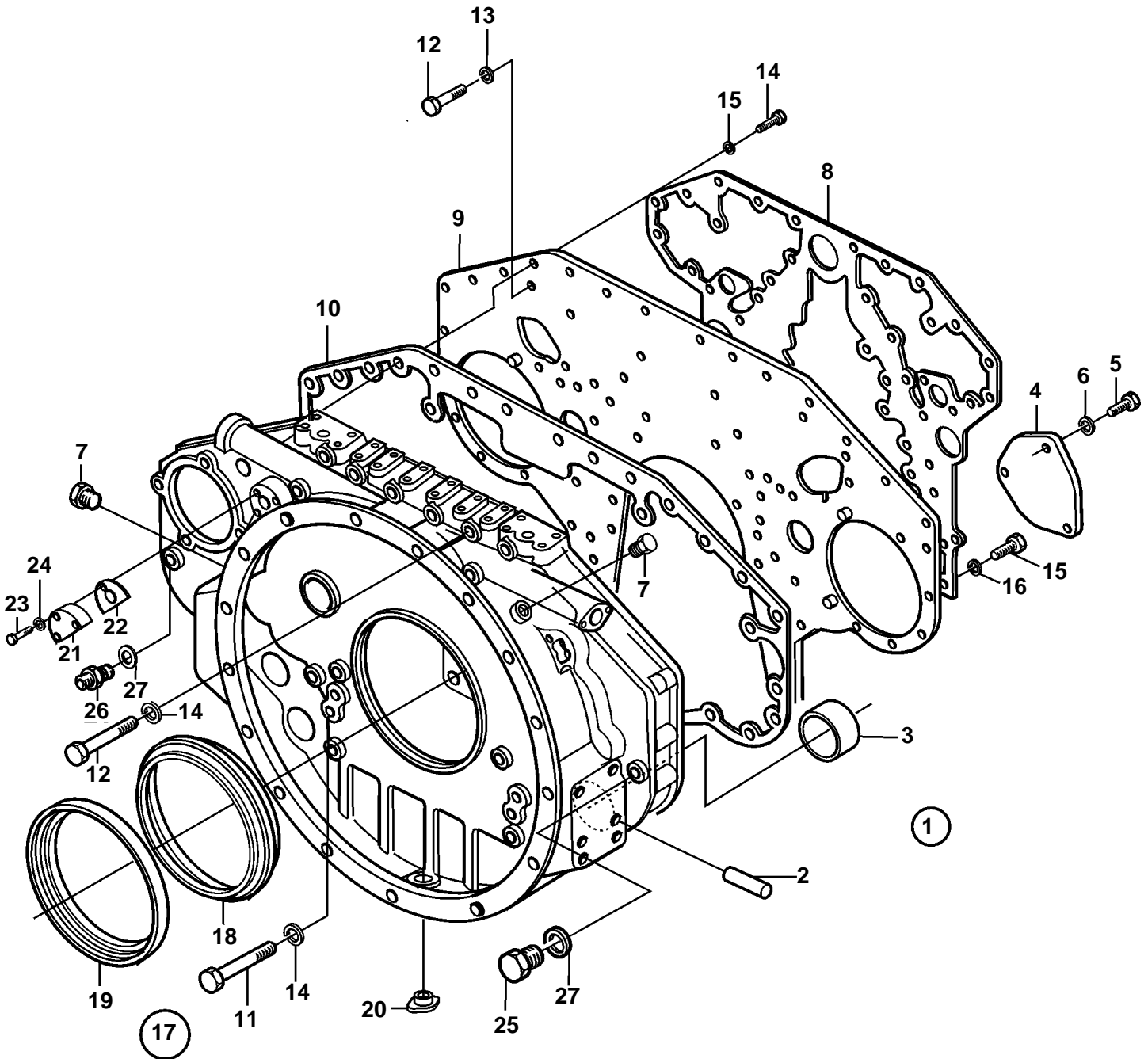


D49A-MT AUX, D49A-MS AUX



18477

D49A-MT AUX, D49A-MS AUX

REF	PART NO.	QTY	DESCRIPTION	NOTES
1	3835438	1	Flywheel housing	SN-11064
	3839494	1	Flywheel housing	SN11065-11642
	3840884	1	Flywheel housing	SN11643-
2	3831835	4	· Pin	
3	3831581	1	· Bushing	
4	3833345	1	Cover	
5	3835725	3	Screw	
6	3832245	3	Spring washer	
7	3831702	2	Plug	
8	3833947	1	Gasket	
9	3835439	1	Plate	
10	3833948	1	Gasket	
11	3832217	10	Screw	
12	3832216	6	Screw	
13	3832098	2	Screw	
14	3831625	18	Washer	
15	3832056	29	Screw	
16	3832245	32	Spring washer	
17	3834437	1	Seal	
18	3834615	1	· Oil deflector ring	
19	3834456	1	· Sealing ring	
20	3831624	1	Plug	
21	3833337	2	Cover	
22	3835440	2	Gasket	
23	3835725	6	Screw	
24	3832245	6	Spring washer	
25	3832330	1	Plug	
26	3833279	1	Connector	
27	3831596	2	Sealing washer	