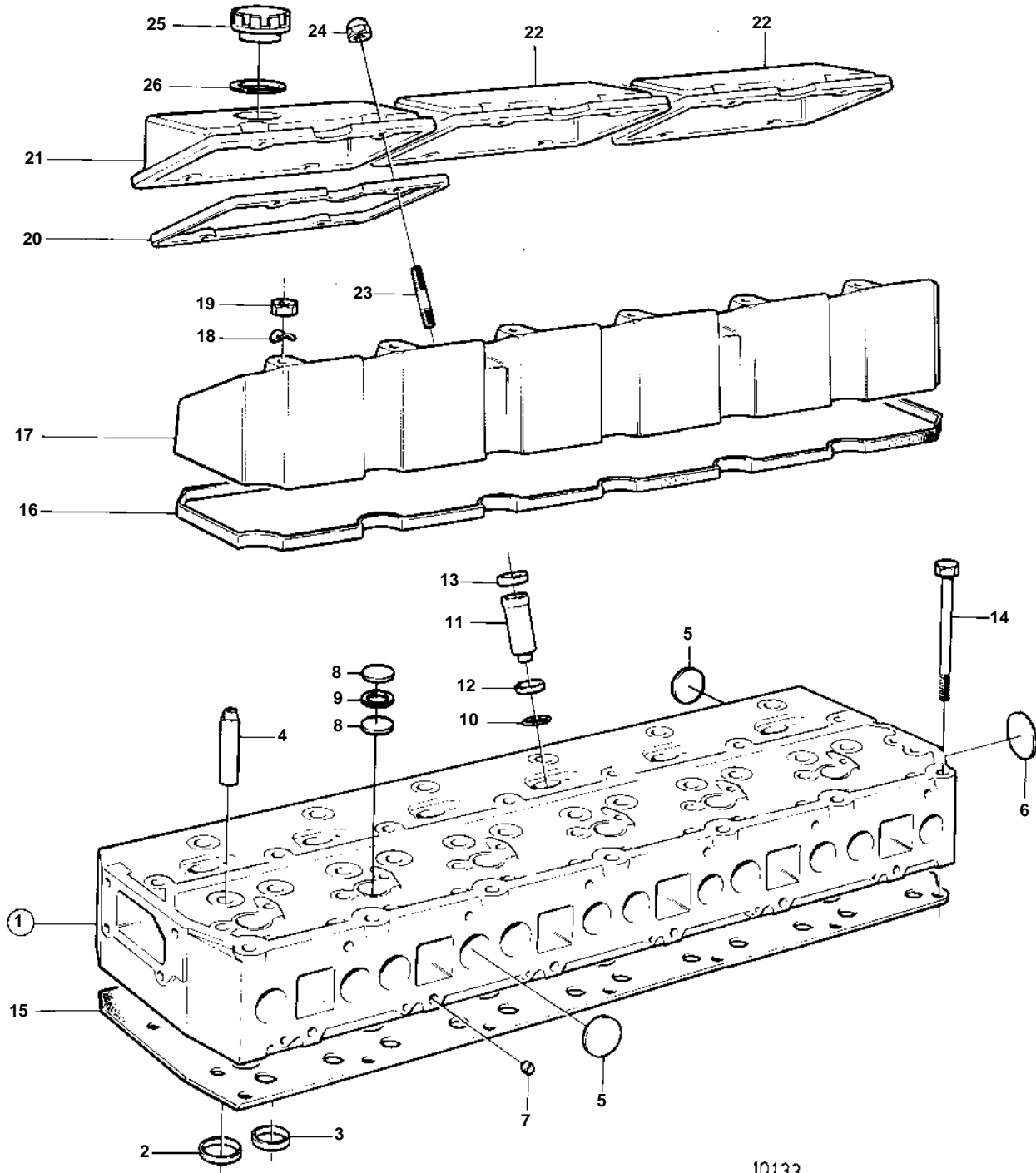


TMD41B,TAMD41B,D41B,AD41B



10133

TMD41B,TAMD41B,D41B,AD41B

REF	PART NO.	QTY	DESCRIPTION	SEE SEC.	NOTES
1	838601	1	Cylinder head		ALSO AVAILABLE AS AN EXCHANGE PART CONSISTING OF CYLINDER HEAD,INTAKE AND EXHAUST VALVES,VALVE SPRINGS,WASHERS AND LOCKS.
	859891	1	Cylinder head		SN2204127880-
2	858328	6	· Valve seat, INLET		STD D FOR 838601
	860035	6	· Valve seat, INLET		STD D FOR 859891
	858329	6	· Valve seat, INLET		OVER SIZE 0,20 MM
					FOR 838601
	860036	6	· Valve seat, INLET		OVER SIZE 0,20 MM
					FOR 859891
3	858331	6	· Valve seat, EXHAUST		STD D
	858332	6	· Valve seat, EXHAUST		OVER SIZE 0,20 MM
4	419653	12	· Valve guide		
5	477026	13	· Expansion plug		
6	968955	1	· Expansion plug		
7	967853	12	· Cap plug		
8	967948	12	· Expansion plug		
9	949329	6	· Gasket		
10	838821	6	· O-ring		
11	838609	6	· Spray sleeve		
12	838896	6	· Sealing ring		
13	838619	6	· Steel ring		
14	838775	27	Screw		
15	858992	1	Gasket		
			Bulletin 44-29A	44-29A-EN	Cylinder Head Gasket
16	838653	1	Gasket		
17	838649	1	Valve cover		
18	941907	4	Spring washer		
19	945408	4	Flange nut		
20	838654	3	Gasket		
21	838651	1	Valve cover		
22	838650	2	Valve cover		
23	953034	12	Stud		
24	968458	12	Nut		
25	1378985	1	Oil filler cap		EARLY TYPE
	3547599	1	Oil filler cap		LATE TYPE
26	940096	1	Gasket		FOR 1378985