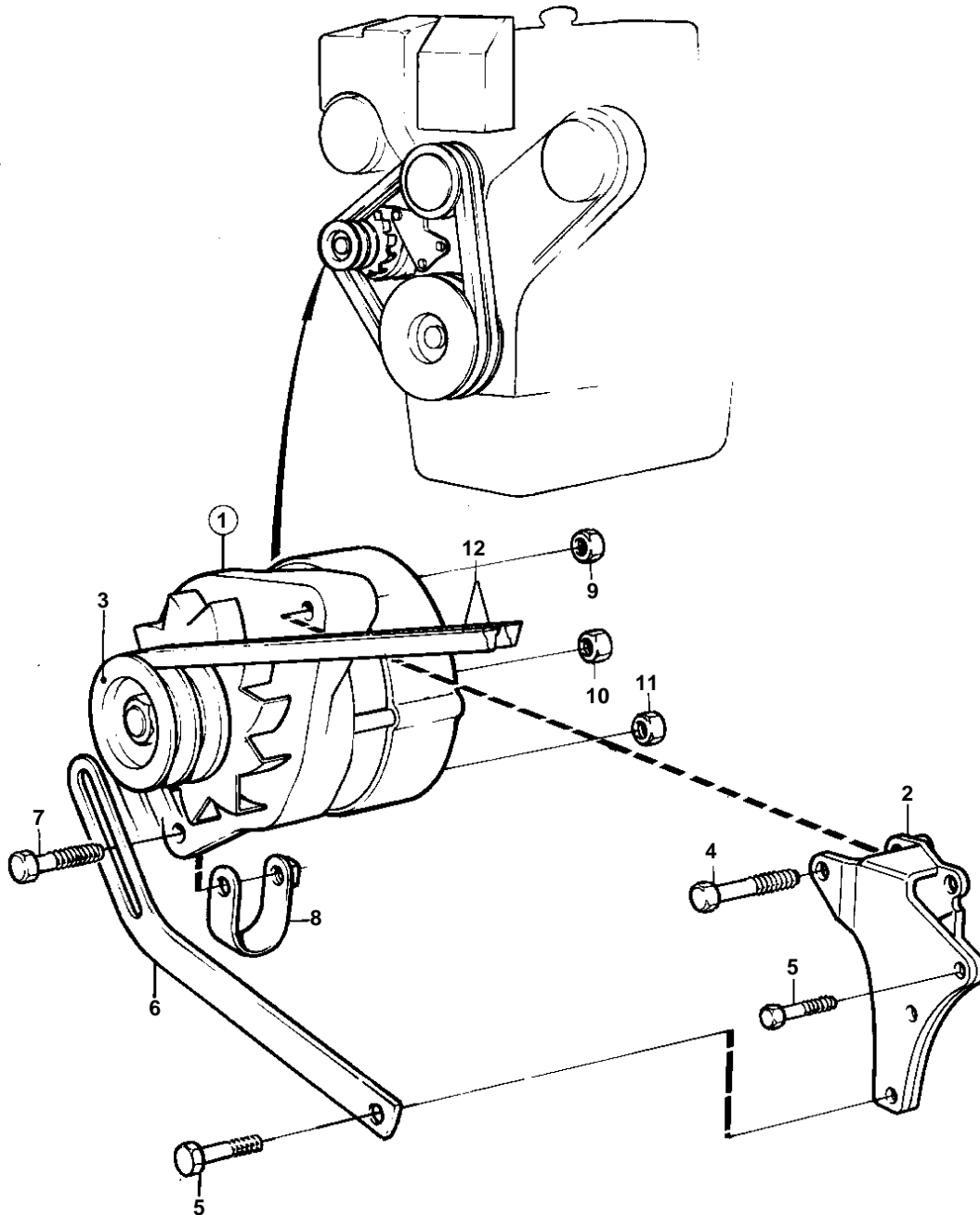


D41A,AQAD41A,AD41A



8012

D41A,AQAD41A,AD41A

REF	PART NO.	QTY	DESCRIPTION	SEE SEC.	NOTES
1	858838	1	Alternator, ALTERNATOR		14V 50A. FOR 12 VOLTAGE ELECTRIC SYSTEM.. ALSO AVAILABLE AS AN EXCHANGE PART.
				030-1600	
2	860271	1	Bracket		
3	841812	1	Pulley		
4	955554	1	Screw		
5	965179	1	Flange screw		L = 50 MM
	965182	1	Flange screw		L = 80 MM
	969189	1	Flange screw		L = 85 MM
6	835352	1	Tensioner		
7	947760	1	Flange screw		
8	466735	1	Tensioning eyelet		
9	955779	1	Nut		M4
10	965483	1	Nut		M5
11	945407	1	Flange nut		M6
12	966978	1	Drive belt set		(958359)