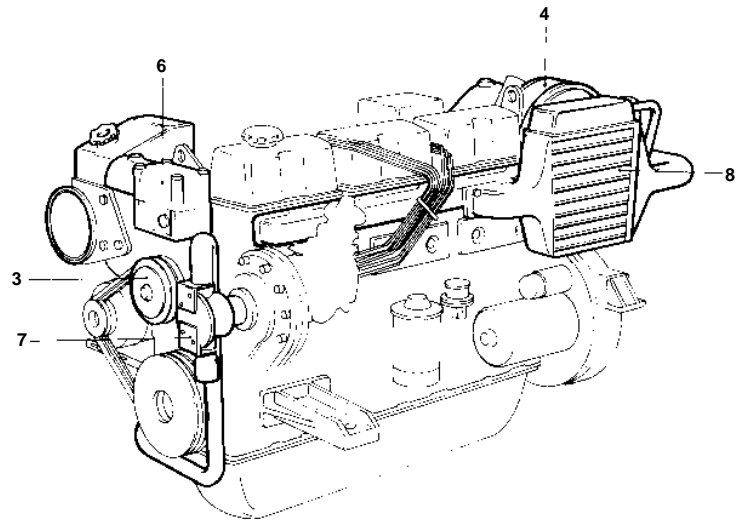
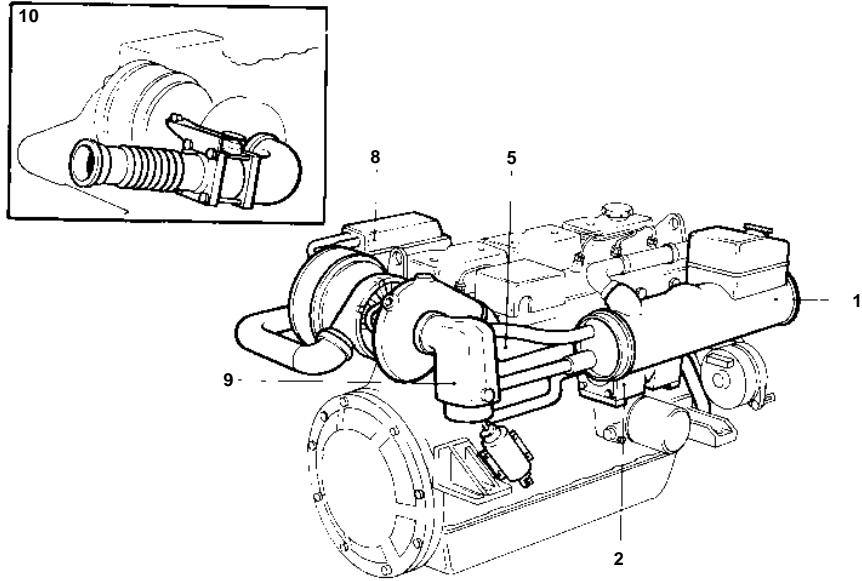


TAMD41A



9403

TAMD41A

REF	QTY	DESCRIPTION	SEE SEC.	NOTES
1	1	HEAT EXCHANGER WITH INSTALLATION COMPONENTS	02B-0870	
2	1	OIL COOLER WITH INSTALLATION COMPONENTS	02B-1290	
3	1	CIRCULATION PUMP WITH INSTALLATION COMPONENTS	02B-1000	
4	1	TURBO AND AIR FILTER WITH INSTALLATION COMPONENTS	02B-2040	
5	1	INDUCTION- AND EXHAUST MANIFOLD WITH INSTALLATION COMPONENTS	02B-2350	
6	1	THERMOSTAT HOUSING WITH INSTALLATION COMPONENTS	02B-2500	
7	1	SEA WATER PUMP WITH INSTALLATION COMPONENTS	02B-1130	
8	1	AFTER COOLER WITH INSTALLATION COMPONENTS	02B-2400	
9	1	EXHAUST LINE, WET		ALT SEE GROUP 9
10	1	EXHAUST LINE, DRY		ALT SEE GROUP 9