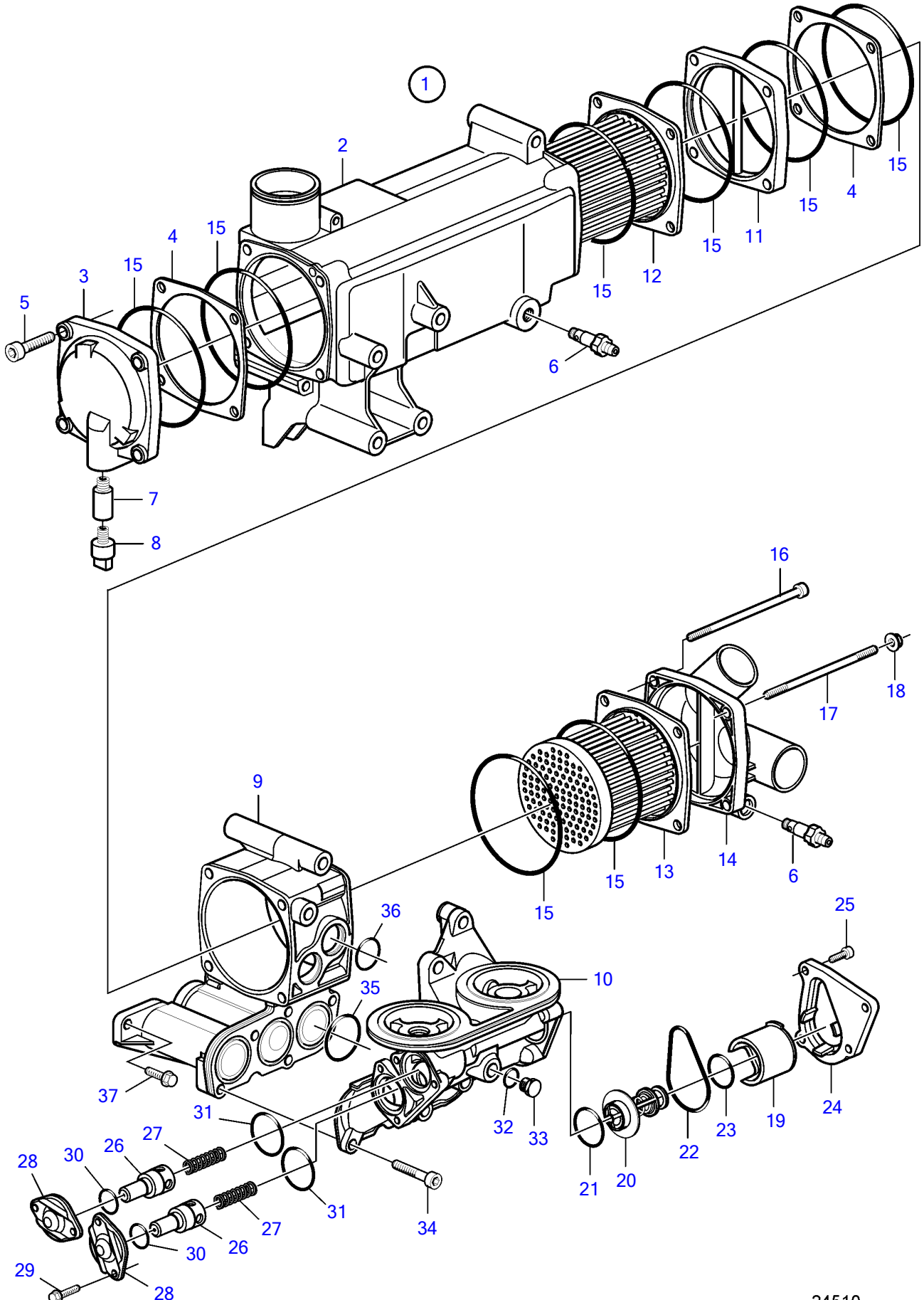


D4-180I-B, D4-180I-C, D4-180I-D, D4-180I-E, D4-210A-A, D4-210I-A, D4-210I-B, D4-225I-B, D4-225A-C, D4-225A-D, D4-225I-C, D4-225I-D, D4-260A-A, D4-260A-B, D4-260A-C, D4-260A-D, D4-260D-B, D4-260D-C, D4-260D-D, D4-260I-A, D4-260I-B, D4-260I-C, D4-260I-D, D4-300A-A, D4-300A-C, D4-300A-D, D4-300D-A, D4-300D-C, D4-300I-A, D4-300I-C, D4-300I-D, D4-225A-E, D4-225I-E, D4-260A-E, D4-260D-E, D4-260I-E, D4-300A-E, D4-300D-E, D4-300D-D, D4-300I-E



D4-180I-B, D4-180I-C, D4-180I-D, D4-180I-E, D4-210A-A, D4-210I-A, D4-210I-B, D4-225I-B, D4-225A-C, D4-225A-D, D4-225I-C, D4-225I-D, D4-260A-A, D4-260A-B, D4-260A-C, D4-260A-D, D4-260D-B, D4-260D-C, D4-260D-D, D4-260I-A, D4-260I-B, D4-260I-C, D4-260I-D, D4-300A-A, D4-300A-C, D4-300A-D, D4-300D-A, D4-300D-C, D4-300I-A, D4-300I-C, D4-300I-D, D4-225A-E, D4-225I-E, D4-260A-E, D4-260D-E, D4-260I-E, D4-300A-E, D4-300D-E, D4-300D-D, D4-300I-E

REF	PART NO.	QTY	DESCRIPTION	NOTES
1	40005711	1	Heat exchanger	
2	3812561	1	• Housing	
3	3583641	1	• End cover	
4	3583646	2	• Spacer	
5	959223	4	• Hex. socket screw	
6	3583822	2	• Draining nipple	
7	838929	1	• Anode	
8	838928	1	• Plug	
9	40005783	1	• Housing	(3583643)
10	3584419	1	• Housing	
11	3583642	1	• Spacer	
12	3583644	1	• Tube	
13	40005784	1	• Tube	(40005780)
14	3595407	1	• End cover	(3583640)
15	3583647	8	• O-ring	
16	21122819	2	• Hex. socket screw	
17	3583650	2	• Stud	
18	945408	2	• Flange nut	
19	3583829	1	• Retainer	
20		1	• Thermostat	Including in kit 3588437
21	3583830	1	• O-ring	
22	3583831	1	• O-ring	
23	3583832	1	• O-ring	
24	3583828	1	• Cover	
25	947542	4	• Flange screw	
26	21068158	2	• Reduction valve	(471706)
27	469332	2	• • Spring	
28	471648	2	• Cover	
29	947542	4	• Flange screw	
30	469846	2	• Sealing ring	
31	982193	2	• O-ring	
32	947282	1	• Gasket	
33	960629	1	• Plug	
34	959222	5	• Hex. socket screw	
35	866690	3	• O-ring	
36	3885174	2	• O-ring	
37	945444	3	Flange screw	