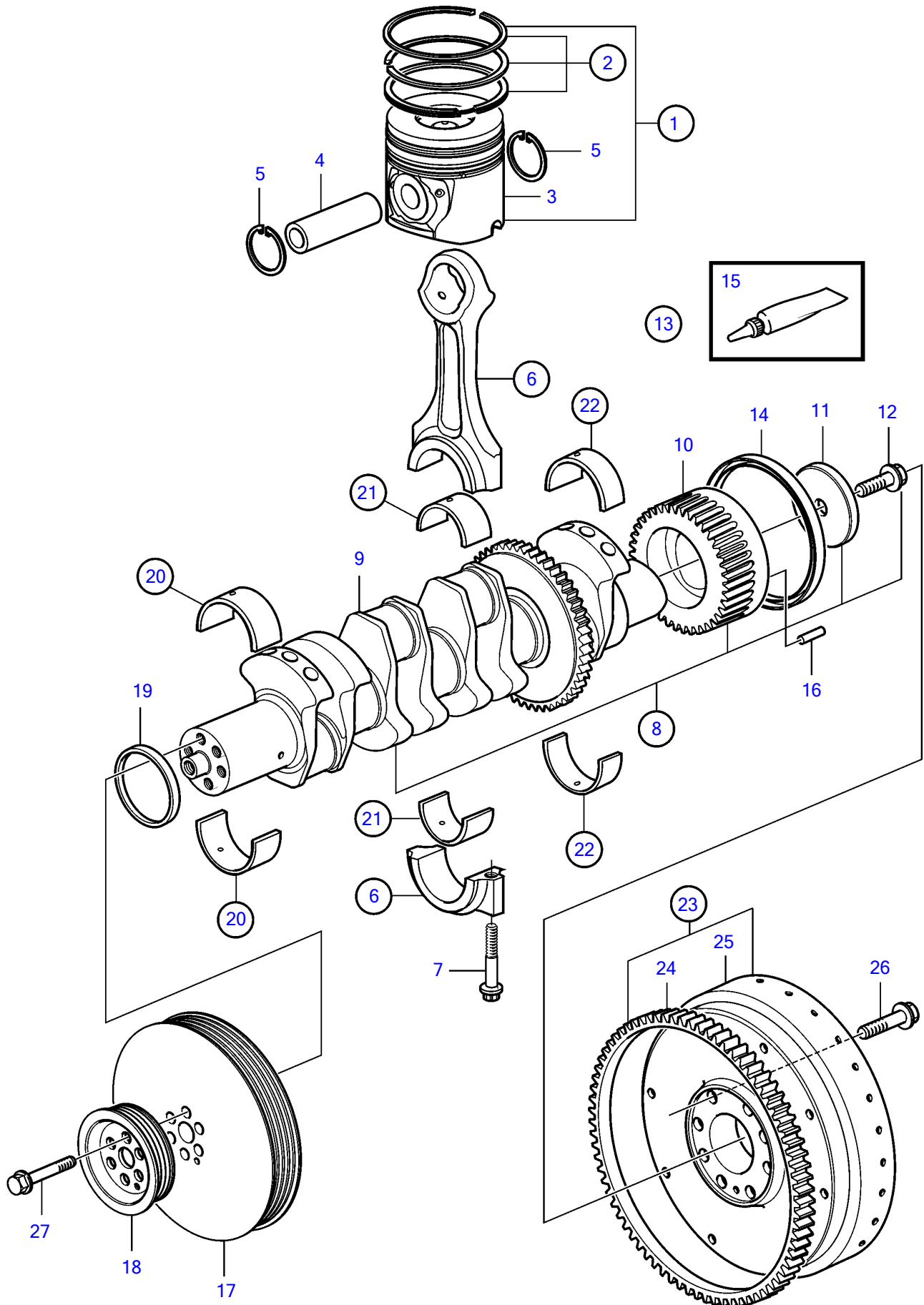


D4-180I-B, D4-180I-C, D4-180I-D, D4-180I-E, D4-210A-A, D4-210I-A, D4-210I-B, D4-225I-B, D4-225A-C, D4-225A-D, D4-225I-C, D4-225I-D, D4-260A-A, D4-260A-B, D4-260A-C, D4-260A-D, D4-260D-B, D4-260D-C, D4-260D-D, D4-260I-A, D4-260I-B, D4-260I-C, D4-260I-D, D4-225A-E, D4-225I-E, D4-260A-E, D4-260D-E, D4-260I-E



D4-180I-B, D4-180I-C, D4-180I-D, D4-180I-E, D4-210A-A, D4-210I-A, D4-210I-B, D4-225I-B, D4-225A-C, D4-225A-D, D4-225I-C, D4-225I-D, D4-260A-A, D4-260A-B, D4-260A-C, D4-260A-D, D4-260D-B, D4-260D-C, D4-260D-D, D4-260I-A, D4-260I-B, D4-260I-C, D4-260I-D, D4-225A-E, D4-225I-E, D4-260A-E, D4-260D-E, D4-260I-E

REF	PART NO.	QTY	DESCRIPTION	NOTES
1	3842771	4	Piston kit	Std
2	3586857	1	• Piston ring kit	Std
3		1	• Piston	Std
4	3581912	1	• Piston pin	
5	982437	2	• Snap ring	
6	3842698	4	Connecting rod	
7	3581905	2	• Screw	
8		1	Crankshaft	
9	3818267	1	• Spare parts kit	
10	3583264	1	• Gear	
11	3582741	1	• Washer	
12	465825	1	• Flange screw	
13	3586960	1	Sealing ring kit	
14		1	• Sealing ring	
15	1161687	1	• Grease	(1161447)
16	950566	1	Pin	
17	3841075	1	Vibration damper	(3582686)
18	3582687	1	Pulley	
19	3582748	1	Sealing ring	
20	3586871	4	Main bearing kit	Std
	3586873	4	Main bearing kit	O.S=0,25mm
	3586875	4	Main bearing kit	O.S=0.50mm
	3586876	4	Main bearing kit	O.S=0,75mm
21	3885323	4	Bearing shell kit	Std, (3586883)
	3586886	4	Bearing shell kit	O.S=0,25mm
	3586888	4	Bearing shell kit	O.S=0.50mm
	3586889	4	Bearing shell kit	O.S=0,75mm
22	3586877	1	Thrust bearing	Std
	3586879	1	Thrust bearing	O.S=0,25mm
	3586880	1	Thrust bearing	O.S=0.50mm
	3586881	1	Thrust bearing	O.S=0,75mm
23	3581913	1	Flywheel	
24	829462	1	• Ring gear	
25		1	• Flywheel	
26	465825	8	Flange screw	
27	465825	6	Flange screw	