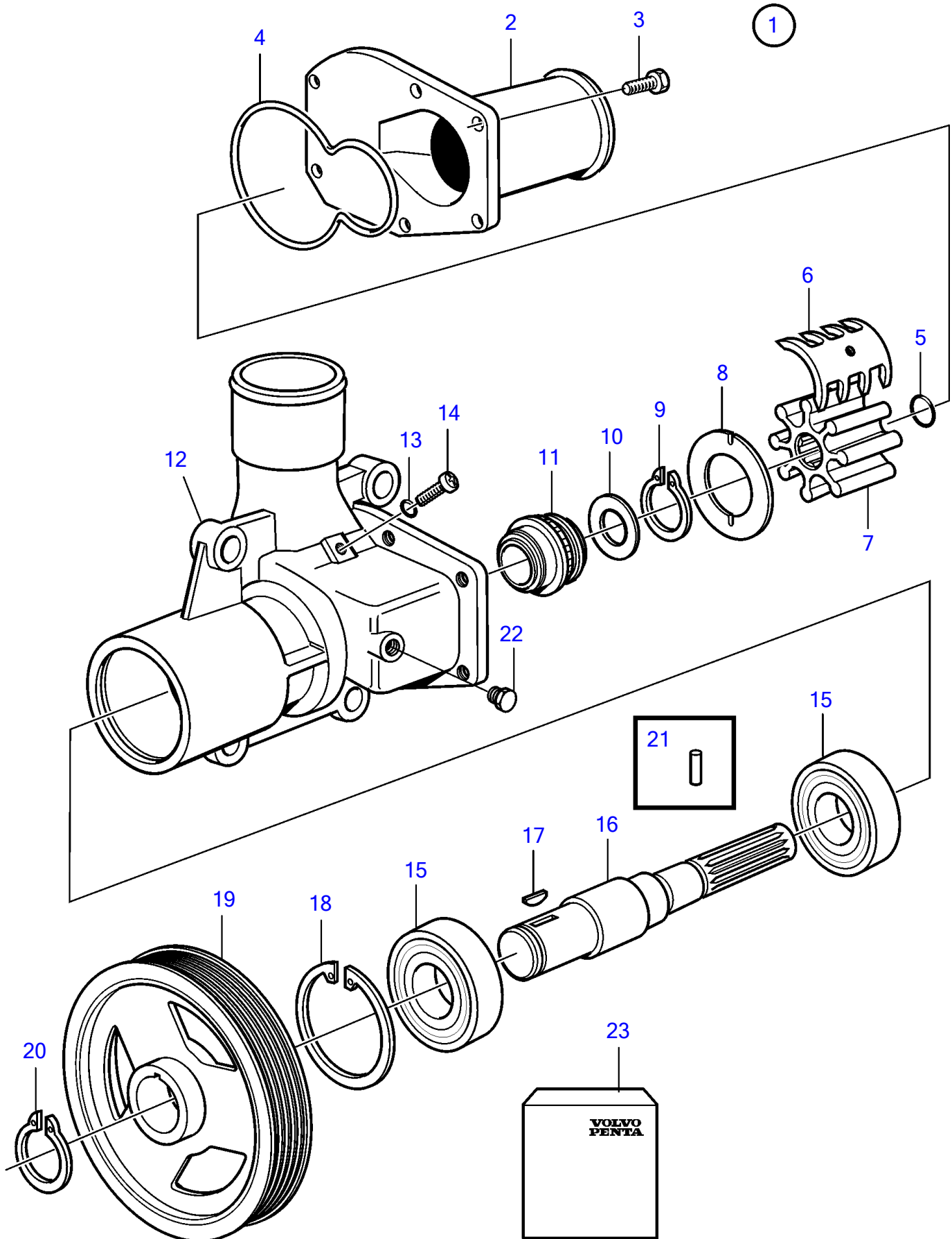


D4-180I-B, D4-180I-C, D4-180I-D, D4-180I-E, D4-210A-A, D4-210I-A, D4-210I-B, D4-225I-B, D4-225A-C, D4-225A-D, D4-225I-C, D4-225I-D, D4-260A-A, D4-260A-B, D4-260A-C, D4-260A-D, D4-260D-B, D4-260D-C, D4-260D-D, D4-260I-A, D4-260I-B, D4-260I-C, D4-260I-D, D4-300A-A, D4-300A-C, D4-300A-D, D4-300D-A, D4-300D-C, D4-300I-A, D4-300I-C, D4-300I-D, D4-225I-E, D4-260I-E, D4-300D-D, D4-300I-E



D4-180I-B, D4-180I-C, D4-180I-D, D4-180I-E, D4-210A-A, D4-210I-A, D4-210I-B, D4-225I-B, D4-225A-C, D4-225A-D, D4-225I-C, D4-225I-D, D4-260A-A, D4-260A-B, D4-260A-C, D4-260A-D, D4-260D-B, D4-260D-C, D4-260D-D, D4-260I-A, D4-260I-B, D4-260I-C, D4-260I-D, D4-300A-A, D4-300A-C, D4-300A-D, D4-300D-A, D4-300D-C, D4-300I-A, D4-300I-C, D4-300I-D, D4-225I-E, D4-260I-E, D4-300D-D, D4-300I-E

REF	PART NO.	QTY	DESCRIPTION	SEE SEC.	NOTES
1	3584062	1	Sea water pump		
2	3583613		• Cardboard tube		
3	3583604	6	• Hexagon screw		
4	3583611	1	• O-ring		
5	804781	1	• Sealing washer		
6	3583612	1	• Cam		
7		1	• Impeller	7043	Included in kit 3588475
8	807589	1	• Wear washer		
9	(809444)	1	• Lock ring		Obsolete part
10	888388	1	• Washer		
11	3583609	1	• Sealing		
12		1	• Pump housing		
13	3583614	1	• O-ring		
14	3583605	1	• Hexagon screw		
15	181648	2	• Ball bearing		
16	21418999	1	• Kit	7043	
17	888386	1	• Key		
18	825735	1	• Lock ring		
19	3583599	1	• Pulley		
20	804709	1	• Lock ring		
21	888387	1	• Pin		
22	981749	1	• Plug		
23	3588475	1	Impeller kit	7043	