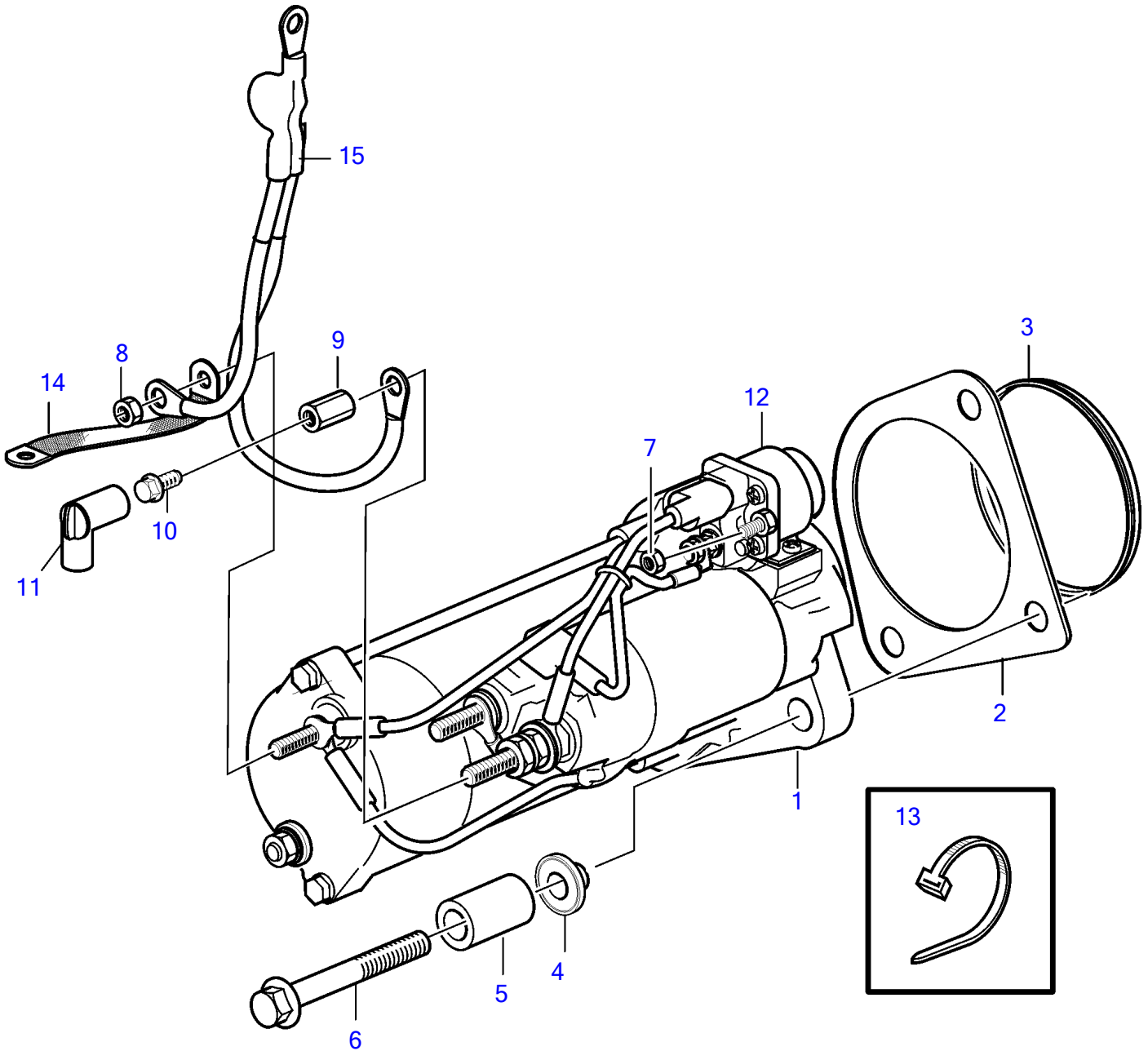


D4-180I-F, D4-225A-F, D4-225I-F, D4-260A-F, D4-260D-F, D4-260I-F, D4-300A-F, D4-300D-F, D4-300I-F



26430

D4-180I-F, D4-225A-F, D4-225I-F, D4-260A-F, D4-260D-F, D4-260I-F, D4-300A-F, D4-300D-F, D4-300I-F

REF	PART NO.	QTY	DESCRIPTION	NOTES
1	3594614	1	Starter motor	12V, SOLAS
	3801296	1	Starter motor, exch, exch	12V, SOLAS
			• parts not sold separately	
	21423489	1	Starter motor, 24v 5	24V, SOLAS
			• parts not sold separately	
2	21389274	1	Gasket	
3	21380910	1	Gasket	
4	21308512	3	Insulating bushing	
5	845884	3	Spacer sleeve	
6	973246	3	Hexagon screw	
7	983714	1	Hexagon nut	
8	983715	1	Hexagon nut	negative pole
9	857180	1	Spacer nut	positive pole
10	946670	1	Flange screw	
11	855798	1	Protecting sleeve	
12	3818845	1	Starter relay	12V
	3818856	1	Starter relay	24V
13	948702	1	Cable tie	
14	996153	1	Chassis ground cable	Do not use with transient protector
15	21923306	1	Wiring harness kit	Transient protector, alternative to chassis ground cable