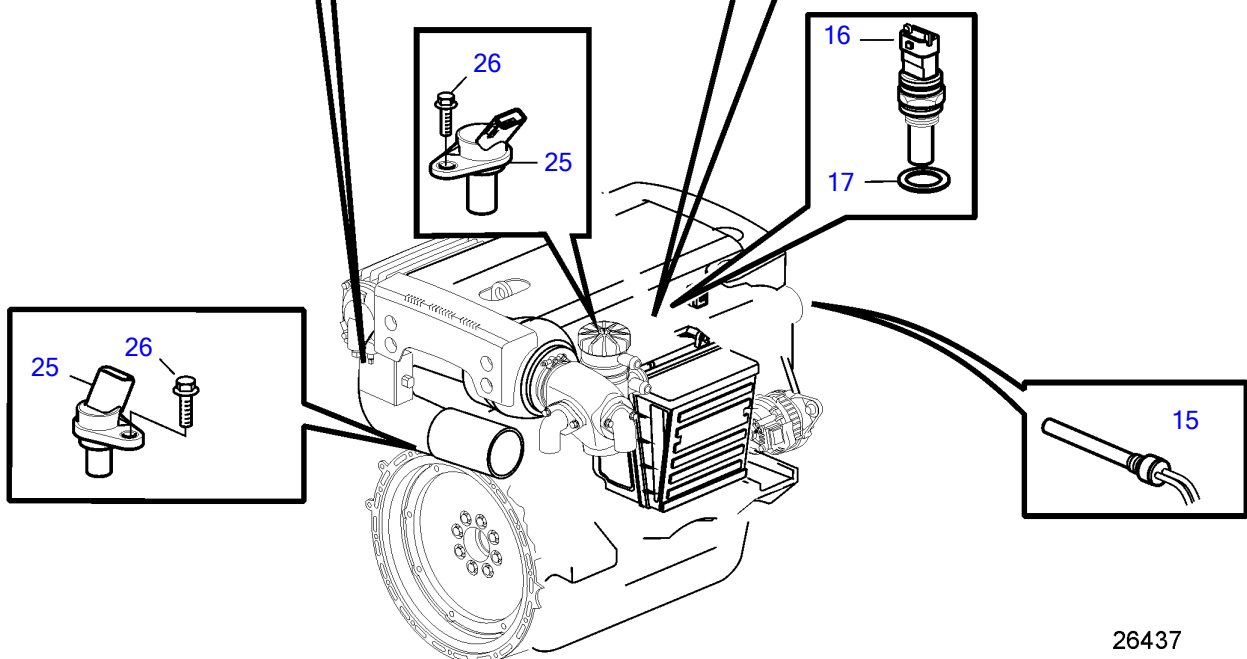
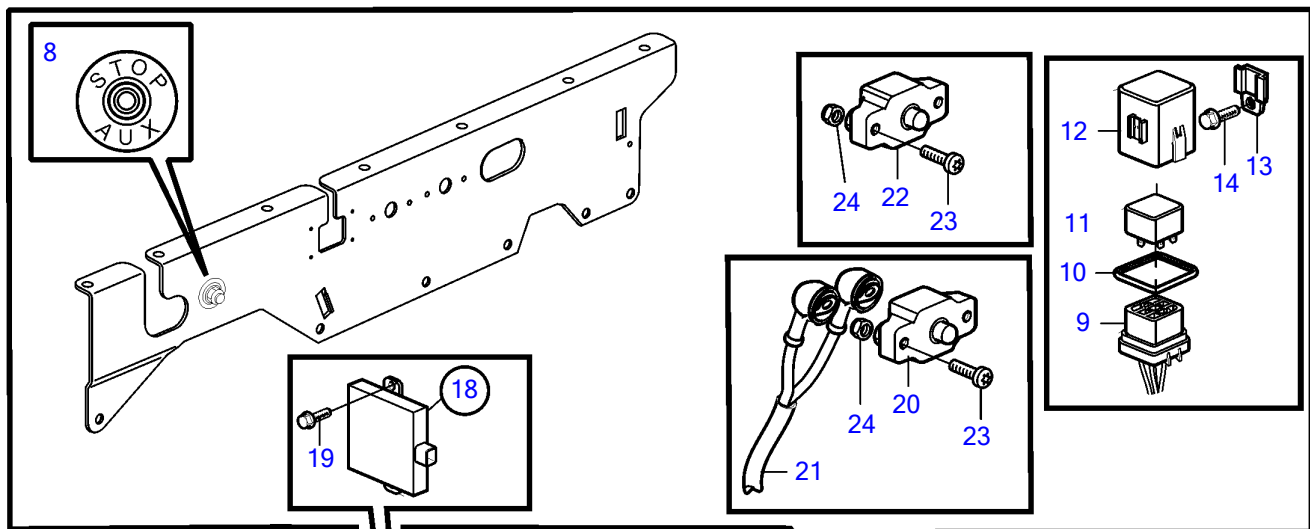
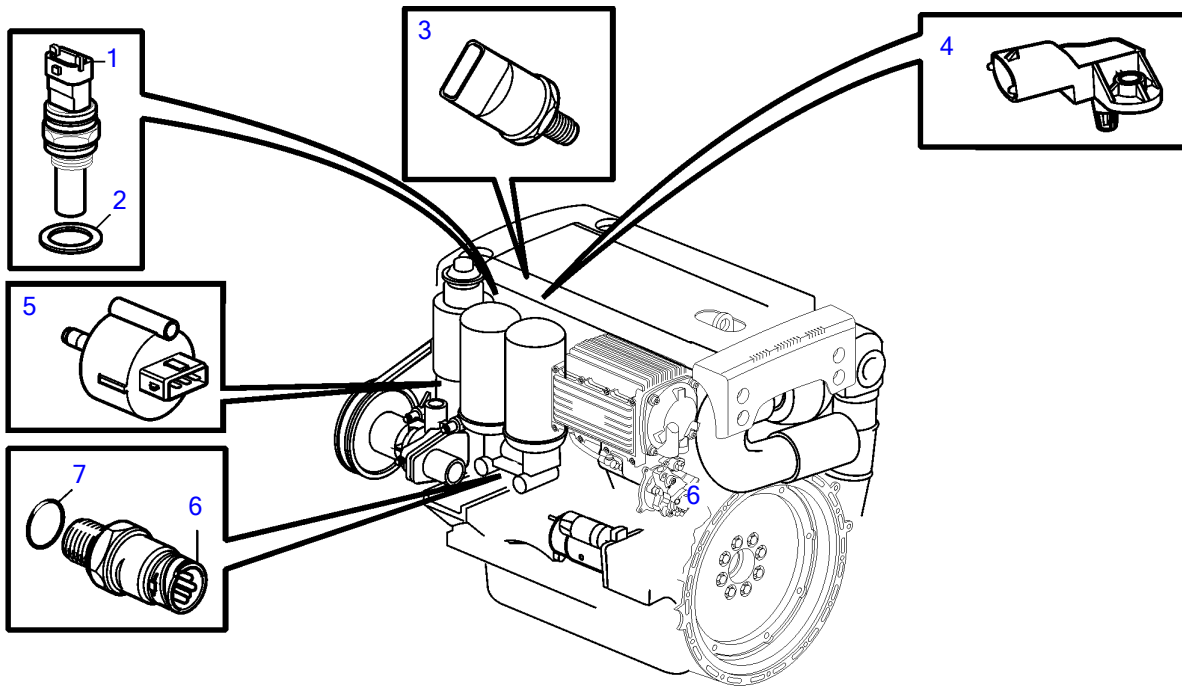


D4-225A-F, D4-260A-F, D4-260D-F, D4-300A-F, D4-300D-F



26437

D4-225A-F, D4-260A-F, D4-260D-F, D4-300A-F, D4-300D-F

| REF | PART NO. | QTY | DESCRIPTION | NOTES |
|-----|----------|-----|--|------------------------------------|
| 1 | 1624368 | 1 | Sensor, fuel | |
| 2 | 11996 | 1 | Gasket | |
| 3 | | 1 | Cable | Rail |
| 4 | 21385453 | 1 | Pressure sensor, charge pressure/temperature | |
| 5 | 3808616 | 1 | Sensor | Installation instruction included. |
| 6 | 21634021 | 1 | Pressure sensor | |
| 7 | 968559 | 1 | • O-ring | |
| 8 | 828584 | 1 | Toggle switch | |
| 9 | 3587172 | 1 | Relay socket | |
| 10 | | 1 | Gasket | |
| 11 | 21400091 | 1 | Relay | 12V |
| | 3171420 | 1 | Relay | 24V |
| 12 | 21494263 | 1 | Relay box | |
| 13 | 21492847 | 1 | Relay bracket | |
| 14 | 948663 | 1 | Flange screw | |
| 15 | 3547710 | 1 | Level guard | |
| 16 | 1624368 | 1 | Sensor | |
| 17 | 11996 | 1 | Gasket | |
| 18 | 21959663 | 1 | Voltage converter | |
| 19 | 946501 | 3 | Flange screw | |
| 20 | 856337 | 1 | Automatic fuse | 50A |
| 21 | 21857924 | 1 | Wiring harness | 4 cylinders |
| | 21855768 | 1 | Wiring harness | 6 cylinders |
| 22 | 21445306 | 2 | Fuse | 20A |
| 23 | 969408 | 4 | 6 point socket screw | |
| 24 | 963104 | 4 | Lock nut | |
| 25 | 21426987 | 2 | Speed sensor | |
| 26 | 946544 | 4 | Flange screw | |