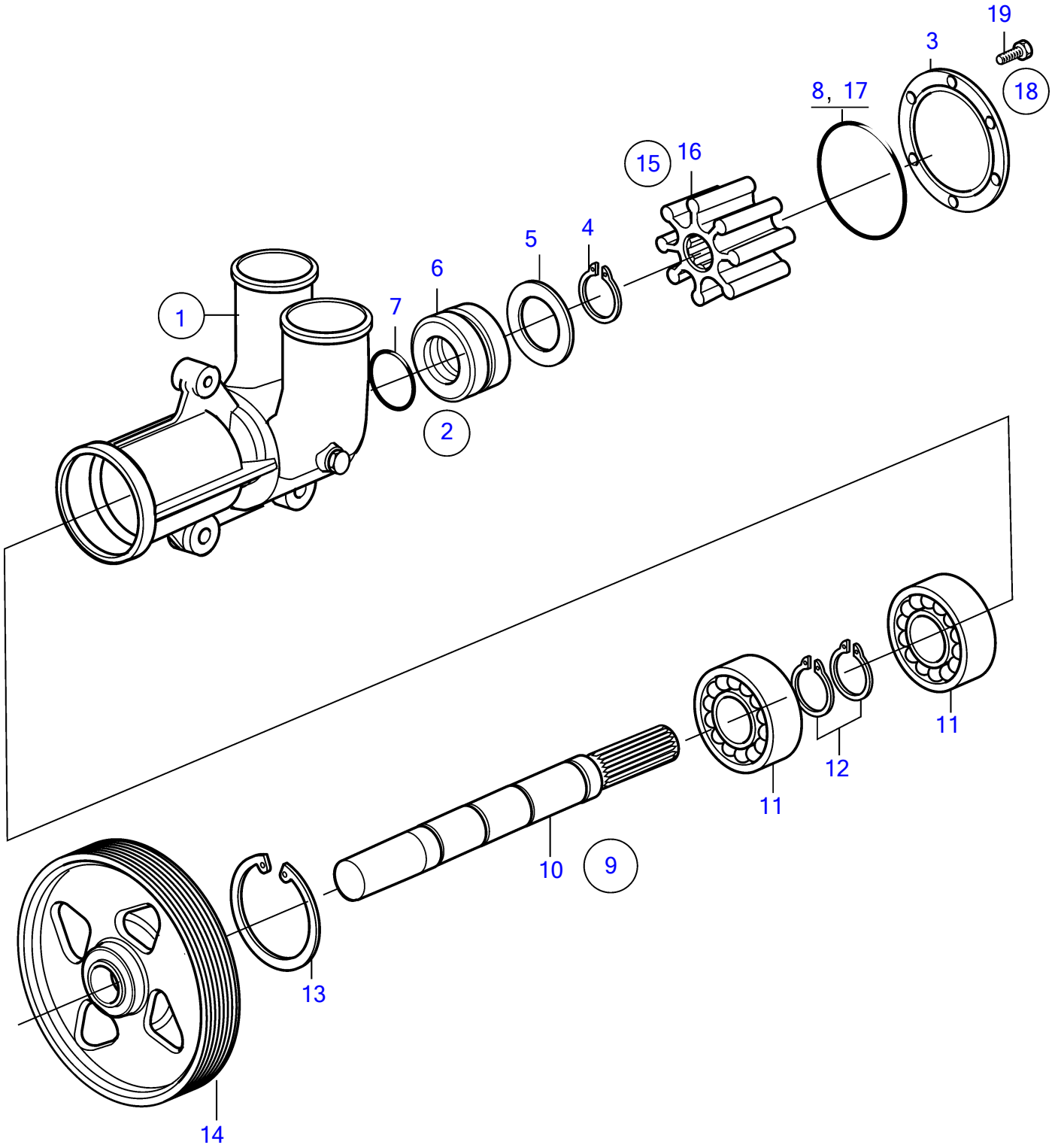


D4-225A-F, D4-260A-F, D4-260D-F, D4-300A-F, D4-300D-F



26624

D4-225A-F, D4-260A-F, D4-260D-F, D4-300A-F, D4-300D-F

REF	PART NO.	QTY	DESCRIPTION	SEE SEC.	NOTES
1	21419374	1	Sea water pump		
			• Bulletin P-26-6-5	P-26-6-5-EN	New seawater pump kits
2	21951392	1	• Wear kit		
3	(3581617)	1	• • Cover		Obsolete part
4	(809444)	1	• • Lock ring		Obsolete part
5	3583988	1	• • Washer		
6	(21379134)	1	• • Sealing ring		Obsolete part
7	960166	1	• • O-ring		
8	(3581618)	1	• • O-ring		Obsolete part
9	21951453	1	• Shaft kit		
10	21422634	1	• • Shaft		
11	(21422638)	2	• • Ball bearing		Obsolete part
12	914451	2	• • Snap ring		
13	21422642	1	• • Snap ring		
14			• • Pulley		
15	3841697	1	• Impeller kit		replaced by next part number
	21422647	1	• Impeller kit		replaced by next part number
	21951356	1	• Impeller kit		
16		1	• • Impeller		
17	(3581618)	1	• • O-ring		Obsolete part
18	21951334	1	• Screw kit		
19	21346724	6	• • Hexagon screw		