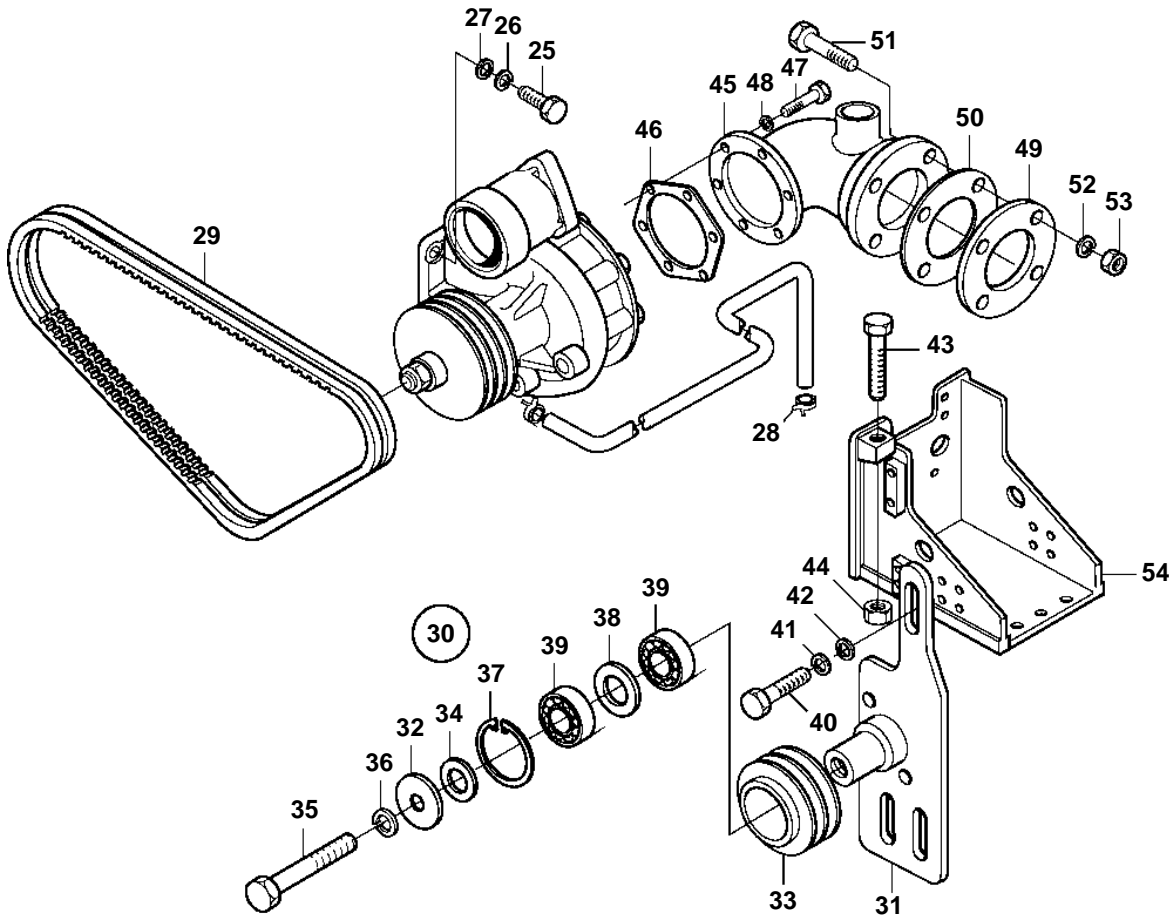
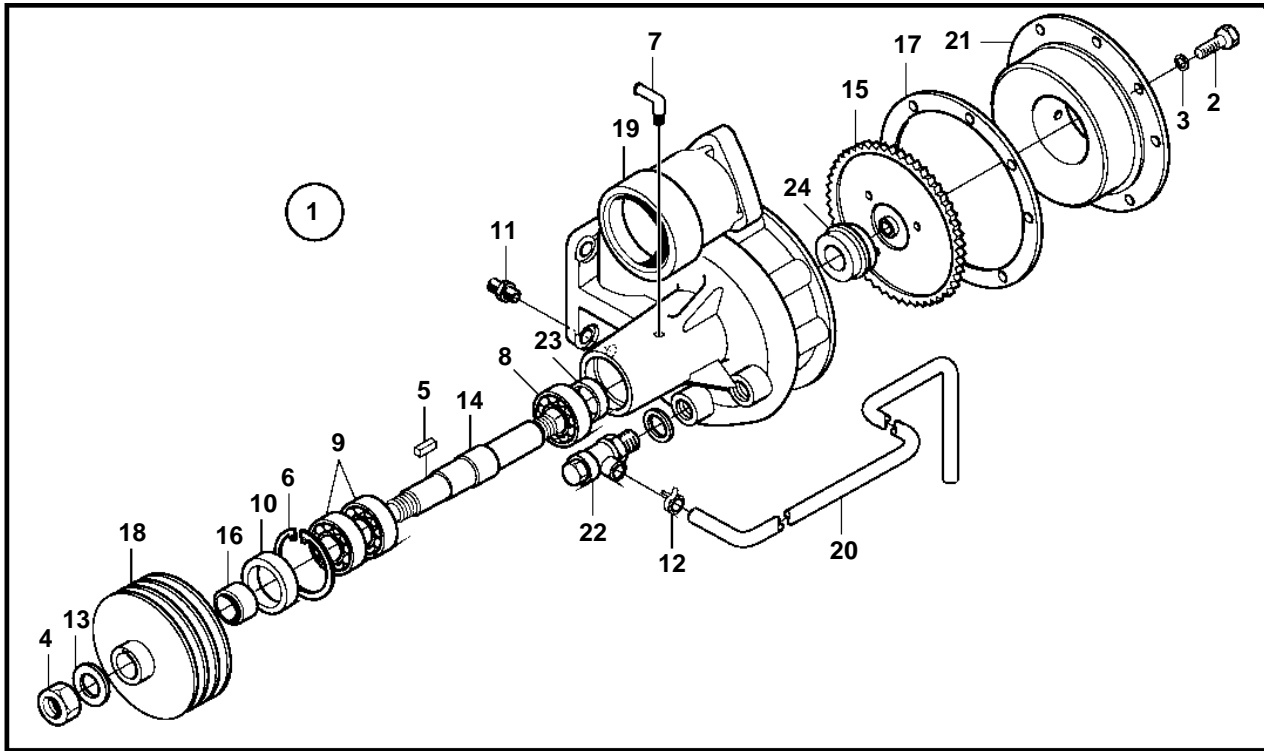


D34A-MT



D34A-MT

REF	PART NO.	QTY	DESCRIPTION	SEE SEC.	NOTES
1	3838185	1	Circulation pump		
2	3831575	8	· Screw		
3	3832233	8	· Spring washer		
4	3831768	1	· Lock nut		
5	3831955	1	· Key		
6	3832046	1	· Snap ring		
7	3832109	1	· Elbow union		
8	3831637	1	· Bearing		
9	3831644	2	· Bearing		
10	3834464	1	· Sealing ring		
11	3832130	1	· Connector		
12	3831614	1	· Clamp		
13	3834853	1	· Washer		
14	3834510	1	· Pump shaft		
15	3833643	1	· Impeller		
16	3834622	1	· Spacer		
17	3833890	1	· Gasket		
18	3834304	1	· Pulley		
19	3833166	1	· Pump housing		
20	889513	1	· Draining hose		
21	3833406	1	· Cover		
22	3831659	1	· Drain cock		
23	3834449	1	· Sealing ring		
24	3838186	1	· Seal		
25	3831576	4	Screw		
26	3832233	4	Spring washer		
27	3832214	4	Washer		
28	3833172	1	Clamp		
29	3837990	1	V-belt		L=1470mm
30	3834296	1	Tension pulley		
31		1	· Bracket		
32	3834248	1	· Pressure plate		
33		1	· Tension pulley		
34	3834641	1	· Spacer		
35	3832056	1	· Screw		
36	3832245	1	· Spring washer		
37	3832048	1	· Snap ring		
38		1	· Spacer		
39	3832164	2	· Bearing		
40	3832065	3	Screw		
41	3832245	3	Spring washer		
42	3834859	3	Washer		
43	3832343	1	Screw		
44	3831759	1	Lock nut		
45	3833253	1	Connector		
46	3836946	1	Gasket		
47	3834954	6	Screw		
48	3832233	6	Spring washer		
49	3833480	1	Flange		
50	3835642	1	Gasket		
51	3831557	4	Screw		
52	3832282	4	Spring washer		
53	3831743	4	Nut		
54	3836831	1	Bracket		
				6018	