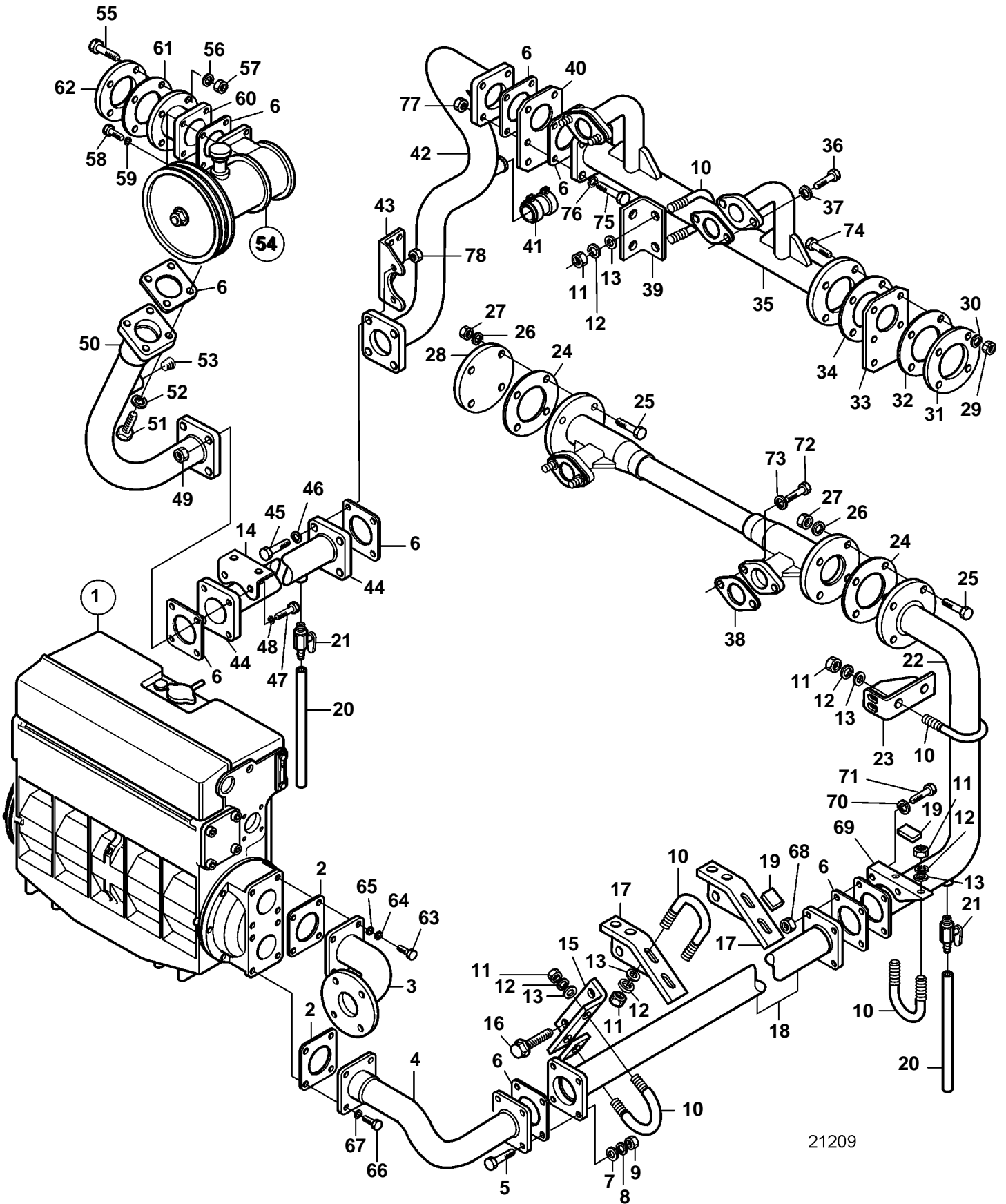


D34A-MT



21209

D34A-MT

REF	PART NO.	QTY	DESCRIPTION	SEE SEC.
1	3586351	1	Heat exchanger	
2	3838757	2	Gasket	
3	3586686	1	Water pipe	
4	3586683	1	Water pipe	
5	3835723	4	Screw	
6	3833876	8	Gasket	
7	3832214	4	Washer	
8	3832233	4	Spring washer	
9	3832196	4	Lock nut	
10	3837091	7	Clamp	
11	3832192	14	Lock nut	
12	3832225	14	Spring washer	
13	3834864	14	Washer	
14	3836983	1	Bracket	
15	3586682	1	Bracket	
16		2	Screw kit	
17		2	Bracket	
18	3586681	1	Water pipe	
19	3839560	1	Rubber cushion	
20	3832304	2	Tube	
21	3834989	2	Drain cock	
22	3586675	1	Water pipe	
23	3586677	1	Stay	
24	3835642	2	Gasket	
25	3831557	8	Screw	
26	3832282	8	Spring washer	
27	3831743	8	Nut	
28	3836978	1	Cover	
29	3836363	4	Lock nut	
30	3832277	4	Spring washer	
31	3835049	1	Flange	
32	3835119	1	Gasket	
33	3836980	1	Plate	
34	3835119	1	Gasket	
35	3836987	1	Water pipe	
36	3832056	4	Screw	
37	3832245	4	Spring washer	
38	3836989	2	Gasket	
39			Bracket	
40	3836992	1	Plate	
41	3835641	1	Clutch	
42	3836986	1	Water pipe	
43	3836984	1	Bracket	
44	3586674	1	Water pipe	
45	3835723	4	Screw	
46	3832233	4	Spring washer	
47	3832047	4	Screw	
48	3832233	4	Spring washer	
49	3832196	4	Lock nut	
50	3586671	1	Water pipe	
51	3832047	4	Screw	
52	3832233	4	Spring washer	
53	3586673	1	Plug	
54	3836483	1	Sea water pump	
				5227
55	3831557	4	Screw	
56	3832282	4	Spring washer	
57	3831743	4	Nut	
58	3832047	4	Screw	
59	3832233	4	Spring washer	
60	3836979	1	Water pipe	
61	3835642	1	Gasket	
62	3836991	1	Flange	

D34A-MT

REF	PART NO.	QTY	DESCRIPTION	SEE SEC.
63		4	Screw	
64		4	Spring washer	
65		4	Washer	
66		4	Screw	
67		4	Spring washer	
68		4	Nut	
69	3586680	1	Bracket	
70		4	Spring washer	
71		4	Screw	
72	3832056	4	Screw	
73	3832245	4	Spring washer	
74	3836362	4	Screw	
75	3832047	4	Screw	
76	3832233	4	Spring washer	
77	3832196	4	Lock nut	
78	3832196	4	Lock nut	