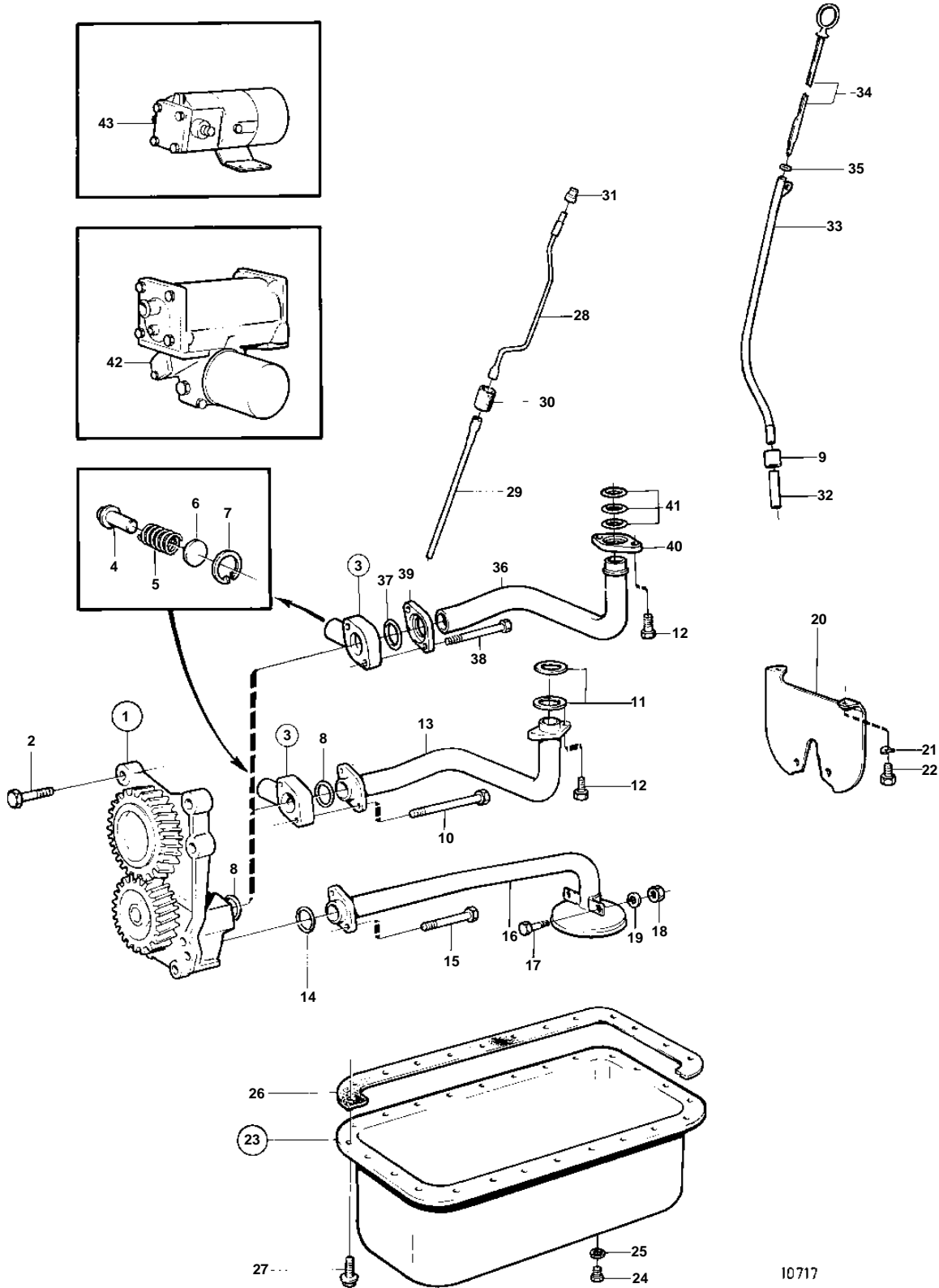


TMD31B,TAMD31B,AD31B



TMD31B,TAMD31B,AD31B

REF	PART NO.	QTY	DESCRIPTION	SEE SEC.	NOTES
1	1544125	1	Oil pump		
				02A-4800	
	860718	1	Oil pump		SN220315967-
				02A-4800	
2	948217	4	Flange screw		
3	1542255	1	Reducing valve		REPL BY 860790
	860790	1	Reducing valve		
			Bulletin 44-32	44-32-EN	Reduction Valve D31, 41, 42
			Bulletin 44-32A	44-32A-EN	Reduction Valve D31, 41, 42
4	471115	1	· Reducing valve		
5	1542257	1	· Spring		
6	948343	1	· Washer		
7	914506	1	· Lock ring		
8	469482	2	O-ring		
9	843533	1	Rubber hose		
10	969189	2	Flange screw		
11	1542385	2	Sealing ring		
12	946173	2	Flange screw		
13	859055	1	Tube		SN-2203116798. REPLACED BY 1EA PIPE 860821, 1EAEAL RING 1545271, 2EA SCREW 965183,1EA FLANGE 1545272,1EA FLANGE 1542248, AND 3EA SEAL RING 1542385.
14	949657	1	O-ring		
15	965180	2	Flange screw		
16	859054	1	Suction pipe		
17	946173	2	Flange screw		
19	960141	2	Washer		
20	859587	1	Baffle plate		
21	942385	2	Disc spring		
22	944926	2	Flange screw		
23	845887	1	Oil pan		
24	948187	1	Plug		
25	18818	1	Gasket		
26	860684	1	Gasket		
27	946440	26	Flange screw		
28	838794	1	Oil scavenging pipe		
29	846007	1	Oil scavenging pipe		
30	843533	1	Rubber hose		
31	943835	1	Plug		
32	843692	1	Tube		
33	838793	1	Tube		
34	838800	1	Oil dipstick		
35	949187	1	· O-ring		
36	860821	1	Tube		SN2203116799-
37	1545271	1	Sealing ring		
38	965183	2	Flange screw		
39	1545272	1	Flange		
42		X	OIL FILTER AND INSTALLATION COMPONENTS	02A-5150	
40	1542248	1	Flange		
41	1542385	3	Sealing ring		
43		X	· EL. OIL SUMP PUMP		SEE GROUP 9