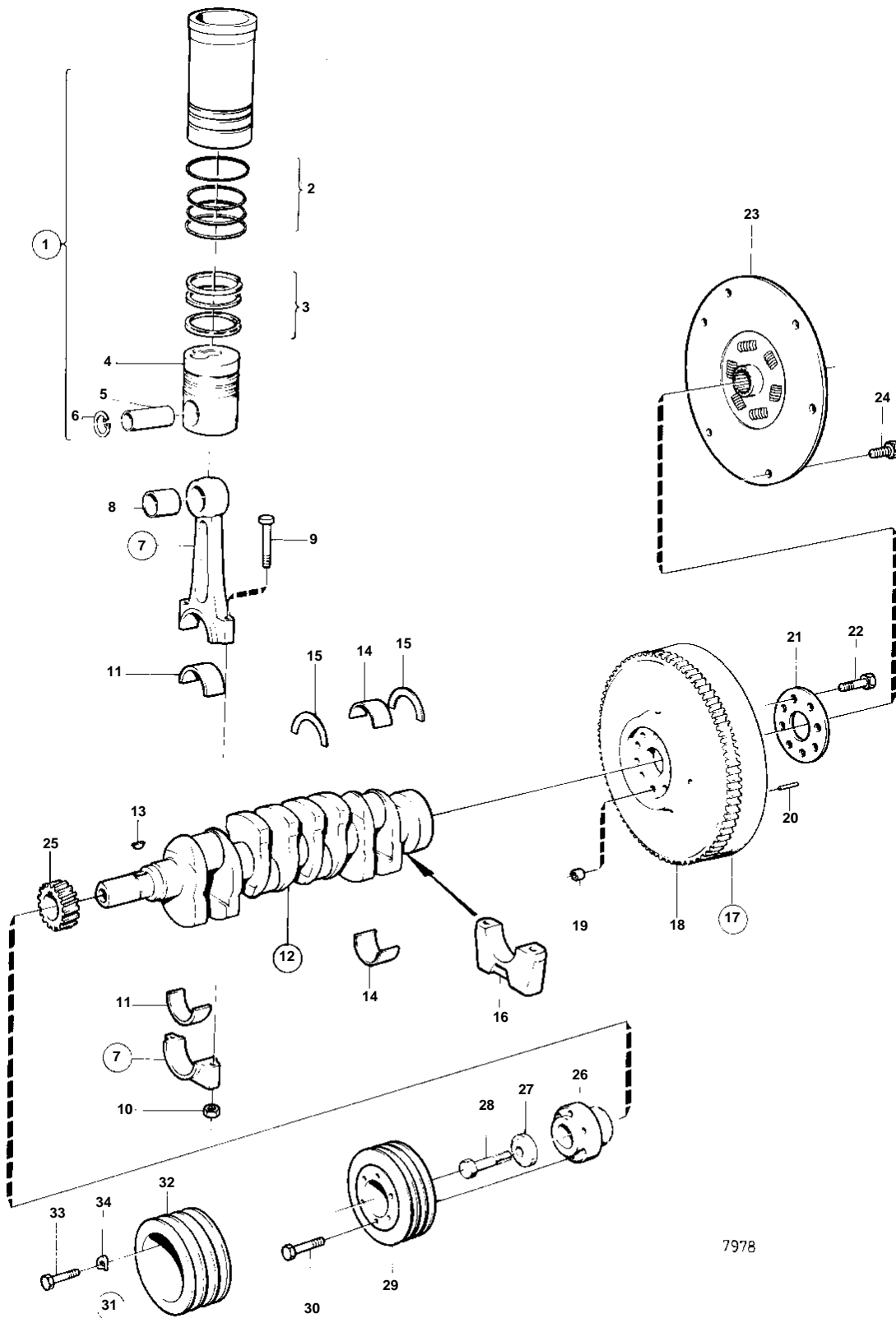


AQAD31A,AD31A



7978

AQAD31A,AD31A

REF	PART NO.	QTY	DESCRIPTION	SEE SEC.	NOTES
1	876099	4	Cylinder liner kit		
2	275751	4	· Sealing ring kit		
3	275350	4	· Piston ring kit		
4		4	· PISTON		
5	1542160	4	· Piston pin		
6	914519	8	· Lock ring		
7	1542072	4	Connecting rod		
8	1542076	4	· Bushing		
9	1542077	8	· Screw		
10	1542078	8	· Nut		
11	270111	4	Big end bearing kit		STD D
	270112	4	Big end bearing kit		UNDER SIZE 0,25 MM
	270113	4	Big-end bearing kit		UNDER SIZE 0,50 MM
	270114	4	Big end bearing kit		UNDER SIZE 0,75 MM
12	1544120	1	Crankshaft		
			Bulletin 44-22	44-22-EN	New Crankshaft
13	910118	1	· Woodruff key		
14	270467	5	Main bearing kit		STD D
	270468	5	Main bearing kit		UNDER SIZE 0,25 MM
	270469	5	Main bearing kit		UNDER SIZE 0,50 MM
	270470	5	Main bearing kit		UNDER SIZE 0,75 MM
15	270464	1	Thrust washer kit		STD D
	270465	1	Thrust washer kit		OVER SIZE 0,10 MM
	270466	1	Thrust washer kit		OVER SIZE 0,20 MM
16		5	BEARING CAP	02A-2500	
17	860726	1	Flywheel		(838850)
18	829462	1	· Gear ring		
19	415311	1	· Sleeve		
20	191873	3	· Locating pin		
21	1542093	1	Bolt plate		
22	1544147	8	Screw		
23	855389	1	Absorber		
24	946173	6	Flange screw		
25	1542305	1	Gear	02A-3950	
26	1542196	1	Hub		
27	420124	1	Washer		
28	1542149	1	Screw		
29	838725	1	Vibration damper		
30	948217	6	Flange screw		
31		1	PULLEY		SEE GROUP 9
32		1	· PULLEY		SEE GROUP 9
33		6	· SCREW		SEE GROUP 9
34		6	· RESILIENT WASHER		SEE GROUP 9