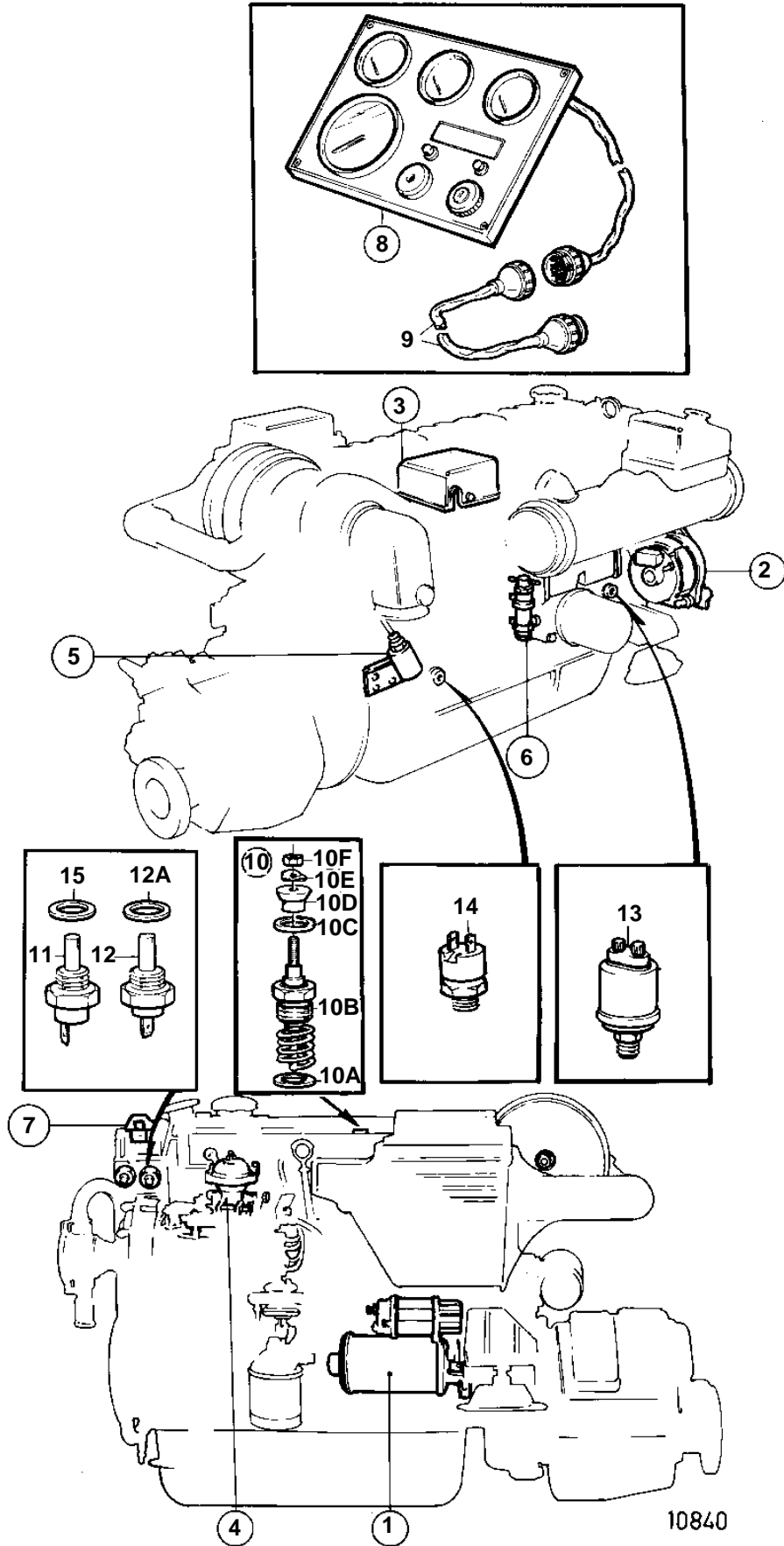


TAMD31A SOLAS



## TAMD31A SOLAS

| REF | PART NO. | QTY | DESCRIPTION                                 | SEE SEC. | NOTES              |
|-----|----------|-----|---|----------|--------------------|
| 1   |          | 1   | STARTER MOTOR WITH INSTALLATION COMPONENTS  | 030-1500 |                    |
| 2   |          | 1   | ALTERNATOR WITH INSTALLATION COMPONENTS     | 030-1140 |                    |
| 3   |          | 1   | ELECTRICAL BOX WITH INSTALLATION COMPONENTS | 030-0800 |                    |
| 4   |          | 1   | MICRO SWITCH WITH INSTALLATION COMPONENTS   | 030-2192 |                    |
| 5   |          | 1   | SOLENOID WITH INSTALLATION COMPONENTS       | 030-2185 |                    |
| 6   |          | 1   | TILT SWITCH WITH INSTALLATION COMPONENTS    | 030-2194 |                    |
| 7   |          | 1   | RELAY WITH INSTALLATION COMPONENTS          | 030-2196 |                    |
| 8   | 859063   | 1   | Instrument panel                            |          | 24V REPL BY 864041 |
|     |          |     |   | 030-2170 |                    |
|     | 864041   | 1   | Instrument panel                            |          | 24V                |
|     |          |     |   | 030-2172 |                    |
| 9   | 846648   | X   | Extension cable                             |          | L = 3000 MM        |
|     | 846649   | X   | Extension cable                             |          | L = 5000 MM        |
|     | 846650   | X   | Extension cable                             |          | L = 7000 MM        |
| 10  | 876132   | 2   | Heater plug kit                             |          |                    |
| 10A | 859211   | 4   | · Sealing ring                              |          |                    |
| 10B |          | 4   | · GLOW PLUG                                 |          |                    |
| 10C |          | 4   | · O-RING                                    |          |                    |
| 10D | 859328   | 4   | · Thrust sleeve                             |          |                    |
| 10E | 941905   | 4   | · Spring washer                             |          |                    |
| 10F | 965483   | 4   | · Nut                                       |          |                    |
| 11  | 858229   | 1   | Thermo monitor                              |          | 24V                |
| 12  | 862326   | 1   | Temp sensor kit                             |          | 24V                |
| 12A | 947624   | 1   | · Gasket                                    |          |                    |
| 13  | 862324   | 1   | Oil press sensor kit                        |          |                    |
| 14  | 864284   | 1   | Pressure monitor                            |          | (848367)           |
| 15  | 957181   | 1   | Gasket                                      |          |                    |